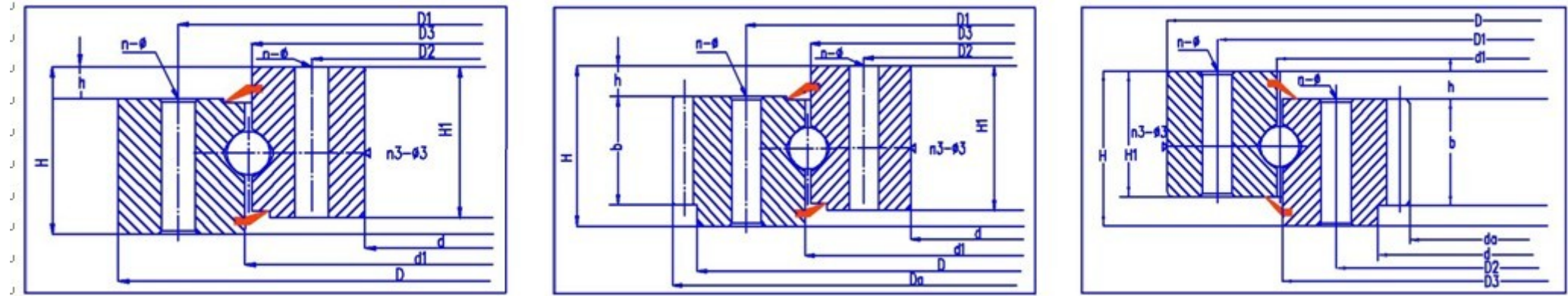
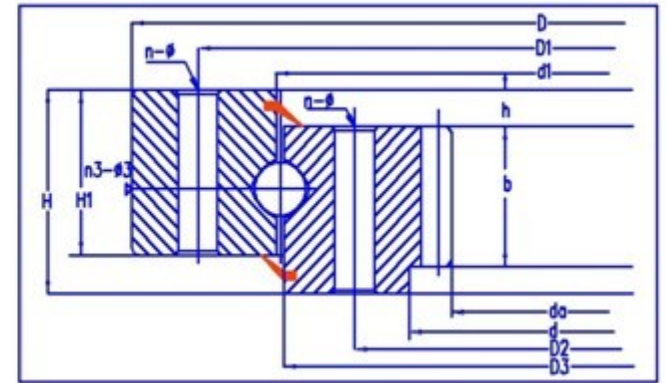
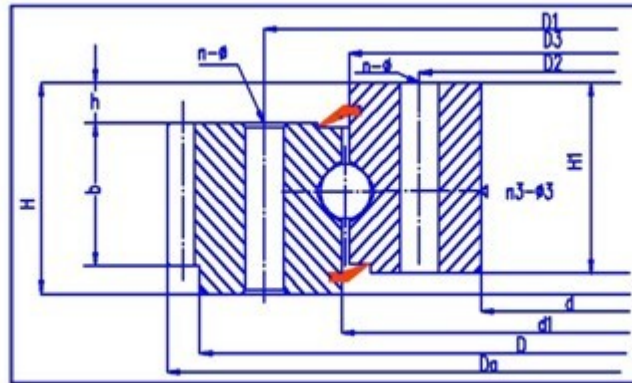
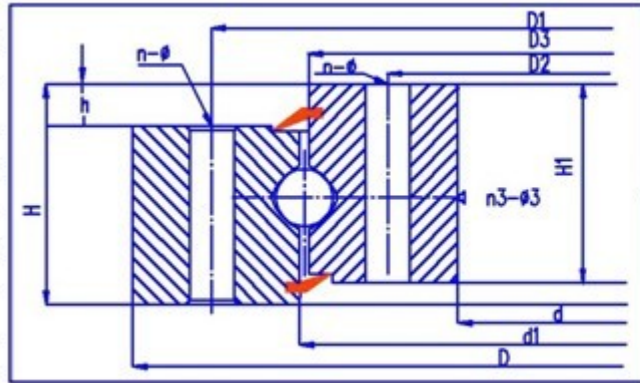


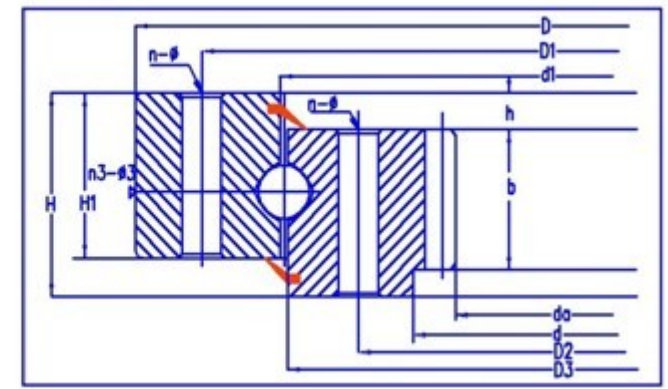
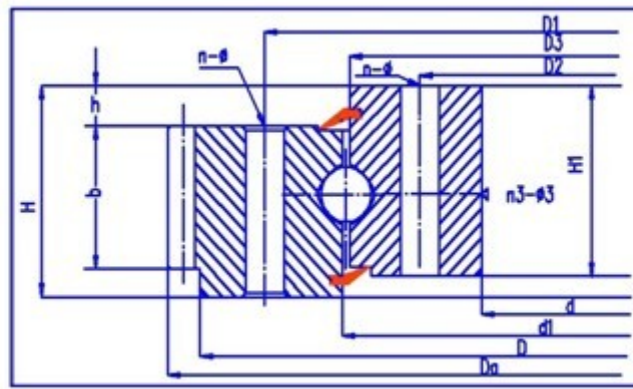
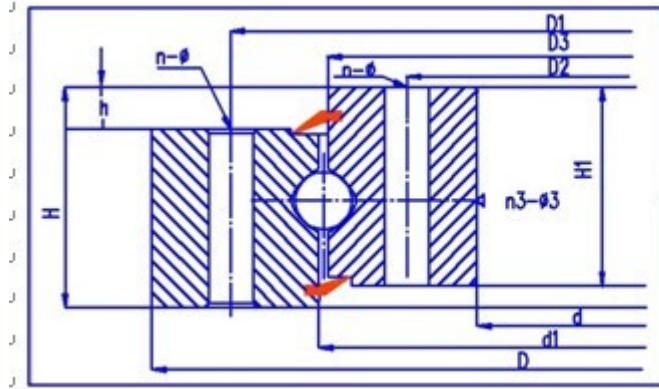
Model			Overall Dimension			Mounting Dimension					Structure Dimension					Gear Parameter			External Gear		Internal Gear		Load	Weight
None gear	External Gear	Internal Gear	D	d	H	D1	D2	N	φ	M	D3	d1	H1	h	n3	b	X	m	Da	Z	da	Z	10 ⁴ N	kg
			mm			mm					mm								mm	mm	mm	mm		
010.20.200	011.20.200	/	280	120	60	248	152	12	16	M14	199	201	50	10	2	40	0	3	300	98	/	/	/	/
010.20.224	011.20.224	/	304	144	60	272	176	12	16	M14	223	225	50	10	2	40	0	3	321	105	/	/	/	/
010.20.250	011.20.250	/	330	170	60	298	202	18	16	M14	249	251	50	10	2	40	0	4	352	86	/	/	/	/
010.20.280	011.20.280	/	360	200	60	328	232	18	16	M14	279	281	50	10	2	40	0	4	384	94	/	/	/	/
010.25.315	011.25.315	013.25.315	408	222	70	372	258	20	18	M16	314	316	60	10	2	50	0	5	435	85	190	40	/	/
010.25.355	011.25.355	013.25.355	448	262	70	412	298	20	18	M16	354	356	60	10	2	50	0	5	475	93	235	49	/	/
010.25.400	011.25.400	013.25.400	493	307	70	457	343	20	18	M16	399	401	60	10	2	50	0	6	528	86	276	48	/	/
010.25.450	011.25.450	013.25.450	543	357	70	507	393	20	18	M16	449	451	60	10	2	50	0	6	576	94	324	56	/	/
010.30.500	011.30.500	013.30.500	602	398	80	566	434	20	18	M16	498.5	501.5	70	10	4	60	0.5	5	630	123	365	74	129	75.8
	012.30.500	014.30.500																6	630	102	366	62	129	75.8
010.25.500	011.25.500	013.25.500	602	398	80	566	434	20	18	M16	498.5	501.5	70	10	4	60	0.5	5	630	123	365	74	129	75.8
	012.25.500	014.25.500																6	630	102	366	62	129	75.8
010.30.560	011.30.560	013.30.560	662	458	80	626	494	20	18	M16	558.5	561.5	70	10	4	60	0.5	5	690	135	425	86	144	94
	012.30.560	014.30.560																6	690	112	426.52	72	144	94
010.25.560	011.25.560	013.25.560	662	458	80	626	494	20	18	M16	558.5	561.5	70	10	4	60	0.5	5	690	135	425	86	144	94
	012.25.560	014.25.560																6	690	112	426.52	72	144	94
010.30.630	011.30.630	013.30.630	732	528	80	696	564	24	18	M16	628.5	631.5	70	10	4	60	0.5	6	774	126	492	83	187	110
	012.30.630	014.30.630																8	776	94	488	62	187	110
010.25.630	011.25.630	013.25.630	732	528	80	696	564	24	18	M16	628.5	631.5	70	10	4	60	0.5	6	774	126	492	83	187	110
	012.25.630	014.25.630																8	776	94	488	62	187	110



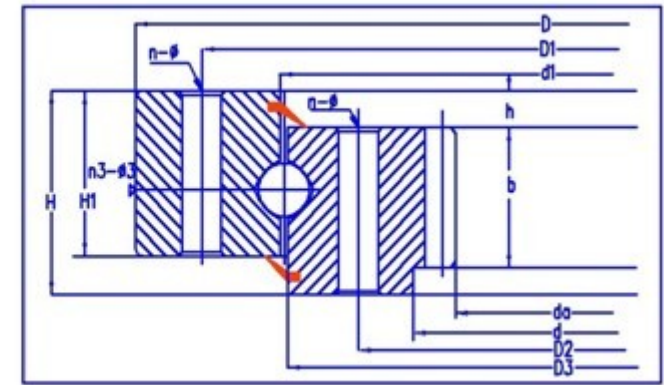
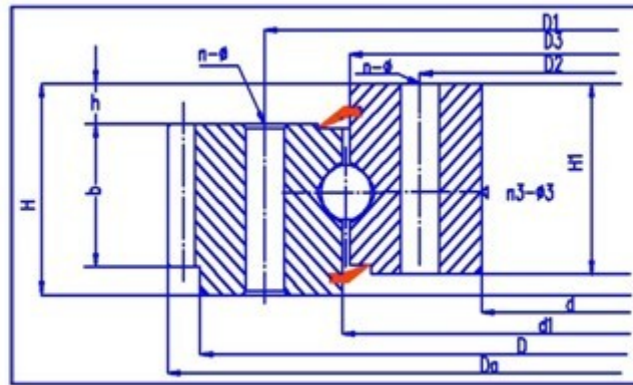
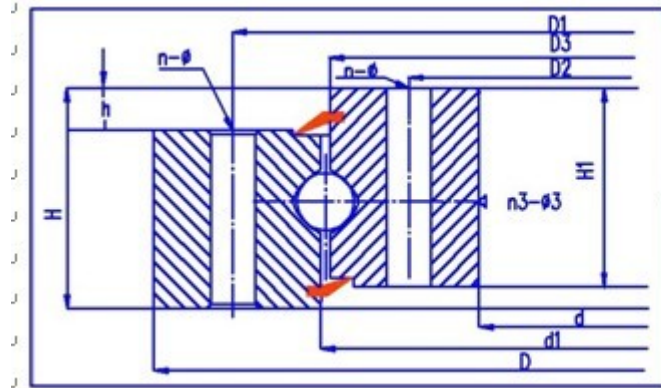
Model			Overall Dimension			Mounting Dimension					Structure Dimension					Gear		External		Internal		Load	Mass	
None gear	External Gear	Internal Gear	D	d	H	D1	D2	N	φ	M	D3	d1	H1	h	n3	b	X	m	Da	Z	da	Z	10 ⁴ N	kg
			mm			mm					mm								mm	mm	mm	mm		
010.30.710	011.30.710	013.30.710	812	608	80	776	644	24	18	M16	708.5	711.5	70	10	4	60	0.5	6	852	139	570	86	212	120
	012.30.710	014.30.710																8	856	104	568	72	212	120
010.25.710	011.25.710	013.25.710	812	608	80	776	644	24	18	M16	708.5	711.5	70	10	4	60	0.5	6	852	139	570	86	212	120
	012.30.710	014.25.710																8	856	104	568	72	212	120
010.30.955	/	/	1098	893	90	1060	845	48/	22	M20	956.5	953.5	71	19	6	/	/	/	/	/	/	270	126	
010.40.800	011.40.800	013.40.800	922	678	100	878	722	30	22	M20	198.5	801.5	90	10	6	80	0.5	8	968	118	632	80	313	256
	012.40.800	014.40.800																10	970	94	630	64	313	256
010.30.800	011.30.800	013.30.800	922	678	100	878	722	30	22	M20	198.5	801.5	90	10	6	80	0.5	8	968	118	632	80	313	256
	012.30.800	014.30.800																10	970	94	630	64	313	256
010.40.900	011.40.900	013.40.900	1022	778	100	978	822	30	22	M20	898.5	901.5	90	10	6	80	0.5	8	1064	130	736	93	355	240
	012.40.900	014.40.900																10	1070	104	730	74	355	240
010.30.900	011.30.900	013.30.900	1022	778	100	978	822	30	22	M20	898.5	901.5	90	10	6	80	0.5	8	1064	130	736	93	355	240
	012.30.900	014.30.900																10	1070	104	730	74	355	240
010.40.1000	011.40.1000	013.40.1000	1122	878	100	1078	922	36	22	M30	998.5	1001.5	90	10	6	80	0.5	10	1190	116	820	83	394	305
	012.40.1000	014.40.1000																12	1188	96	816	69	394	305
010.30.1000	011.30.1000	013.30.1000	1122	878	100	1078	922	36	22	M30	998.5	1001.5	90	10	6	80	0.5	10	1190	116	820	83	394	305
	012.30.1000	014.30.1000																12	1188	96	816	69	394	305
010.40.1120	011.40.1120	013.40.1120	1242	998	100	1198	1042	36	22	M30	1118	1122	90	10	6	80	0.5	10	1300	127	940	95	443	300
	012.40.1120	014.40.1120																12	1308	106	936	79	443	300
	011.40.1120.12K		1242	998	100	1198	1042	18	22	M30	1118.5	1121.5	90	10	6	80	0.5	10	1300	127	/	/	334	352
	012.40.1120.12K1							36			1118	1121						10	1298	127	/	/	334	334



Model			Overall Dimension			Mounting Dimension					Structure Dimension					Gear Parameter			External Gear		Internal Gear		Load	Mass			
None gear	External Gear	Internal Gear	D	d	H	D1	D2	N	φ	M	D3	d1	H1	h	n3	b	X	m	Da	Z	da	Z	10 ⁴ N	kg			
			mm			mm					mm								mm	mm	mm	mm			mm		
010.30.1120	011.30.1120	013.30.1120	1242	998	100	1198	1042	36	22	M30	1118	1122	90	10	6	80	0.5	10	1300	127	940	95	443	300			
	012.30.1120	014.30.1120																	12	1308	106	936	79	443	300		
010.45.1250	011.45.1250	013.45.1250	1390	1110	110	1337	1163	40	26	M42	1248	1252	100	10	6	90	0.5	12	1452	118	1044	88	554	420			
	011.45.1250	014.45.1250																	90	0.5	14	1456	101	1036	75	554	420
010.35.1250	011.35.1250	013.35.1250	1390	1110	110	1337	1163	40	26	M42	1248	1252	100	10	6	90	0.5	12	1452	118	1044	88	554	420			
	011.35.1250	014.35.1250																	90	0.5	14	1456	101	1036	75	554	420
010.45.1400	011.45.1400	013.45.1400	1540	1260	110	1487	1313	40	26	M42	1398	1402	100	10	6	90	0.5	12	1608	131	1188	100	617	480			
	012.45.1400	014.45.1400																	90	0.5	14	1610	112	1190	86	617	480
010.35.1400	011.35.1400	013.35.1400	1540	1260	110	1487	1313	40	26	M42	1398	1402	100	10	6	90	0.5	12	1608	131	1188	100	617	480			
	012.35.1400	014.35.1400																	90	0.5	14	1610	112	1190	86	617	480
010.45.1600	011.45.1600	013.45.1600	1740	1460	110	1687	1513	45	26	M42	1598	1602	100	10	6	90	0.5	14	1820	127	1386	100	702	550			
	012.45.1600	014.45.1600																	90	0.5	16	1824	111	1376	87	702	550
010.35.1600	011.35.1600	013.35.1600	1740	1460	110	1687	1513	45	26	M42	1598	1602	100	10	6	90	0.5	14	1820	127	1386	100	702	550			
	012.35.1600	014.35.1600																	90	0.5	16	1824	111	1376	87	702	550
010.45.1800	011.45.1800	013.45.1800	1940	1660	110	1887	1713	45	26	M42	1798	1802	100	10	8	90	0.5	14	2016	141	1568	113	793	610			
	012.45.1800	014.45.1800																	90	0.5	16	2016	123	1568	99	793	610
	011.45.1800.05	/																		1660	110	1887	1713	45	26	M42	1798
010.35.1800	011.35.1800	013.35.1800	1940	1660	110	1887	1713	45	26	M42	1798	1802	100	10	8	90	0.5	14	2016	141	1568	113	793	610			
	012.35.1800	014.35.1800																	90	0.5	16	2016	123	1568	99	793	610

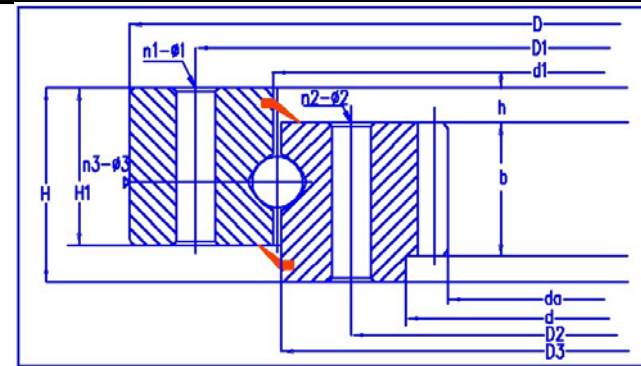


Model			Overall Dimension			Mounting Dimension					Structure Dimension					Gear Parameter			External Gear		Internal Gear		Load	Mass
None gear	External Gear	Internal Gear	D	d	H	D1	D2	N	φ	M	D3	d1	H1	h	n3	b	X	m	Da	Z	da	Z	10 ⁴ N	kg
			mm			mm					mm					mm		mm	mm		mm		mm	
010.60.2000	011.60.2000	013.60.2000	2178	1825	144	2110	1891	48	33	M30	1998	2002	132	12	8	120	0.5	16	2272	139	1728	109	1210	1100
	012.60.2000	014.60.2000														120	0.5	18	2268	123	1728	97	1210	1100
	012.60.2000.12K		/	/	/	2160	1825	45	33	M30	1998	2002	132	12	8	120	0.5	16	2240	139	/	/	1122	970
010.40.2000	011.40.2000	013.40.2000	2178	1825	144	2110	1891	48	33	M30	1998	2002	132	12	8	120	0.5	16	2272	139	1728	109	1210	1100
	012.40.2000	014.40.2000														120	0.5	18	2268	123	1728	97	1210	1100
010.60.2240	011.60.2240	013.60.2240	2418	2065	144	2350	2131	48	33	M30	2237.5	2245.5	132	12	8	120	0.5	16	2496	153	1984	125	1350	1250
	012.60.2240	014.60.2240														120	0.5	18	2502	136	1980	111	1350	1250
010.40.2240	011.40.2240	013.40.2240	2418	2065	144	2350	2131	48	33	M30	2237.5	2245.5	132	12	8	120	0.5	16	2496	153	1984	125	1350	1250
	012.40.2240	014.40.2240														120	0.5	18	2502	136	1980	111	1350	1250
010.60.2500	011.60.2500	013.60.2500	2678	2325	144	2610	2391	56	33	M30	2497.5	2502.5	132	12	8	120	0.5	18	2772	151	2332	125	1500	1400
	012.60.2500	014.60.2500														120	0.5	20	2780	136	2220	112	1500	1400
010.40.2500	011.40.2500	013.40.2500	2678	2325	144	2610	2391	56	33	M30	2497.5	2502.5	132	12	8	120	0.5	18	2772	151	2332	125	1500	1400
	012.40.2500	014.40.2500														120	0.5	20	2780	136	2220	112	1500	1400
010.60.2800	011.60.2800	013.60.2800	2978	2625	144	2910	2691	56	33	M30	2797.5	2802.5	132	12	8	120	0.5	18	3078	168	2520	141	1680	1600
	012.60.2800	014.60.2800														120	0.5	20	3080	151	2520	127	1680	1600
010.40.2800	011.40.2800	013.40.2800	2978	2625	144	2910	2691	56	33	M30	2797.5	2802.5	132	12	8	120	0.5	18	3078	168	2520	141	1680	1600
	012.40.2800	014.40.2800														120	0.5	20	3080	151	2520	127	1680	1600



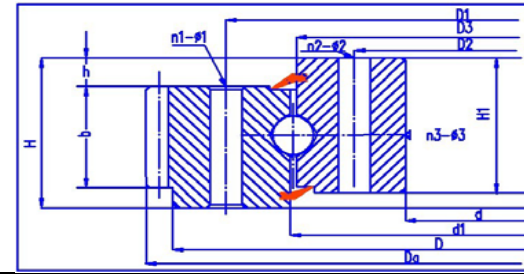
Model			Overall Dimension			Mounting Dimension					Structure Dimension					Gear Parameter			External Gear		Internal Gear		Load	Mass
None gear	External Gear	Internal Gear	D	d	H	D1	D2	N	φ	M	D3	d1	H1	h	n3	b	X	m	Da	Z	da	Z	10 ⁴ N	kg
			mm			mm					mm					mm			mm		mm			
010.75.3150	011.75.3150	013.75.3150	3376	2922	144	3286	3014	56	45	M42	3147.5	3152.5	162	12	8	150	0.5	20	3480	171	2820	142	2380	2800
	012.75.3150	014.75.3150														22		3476	115	2816	129	2380	2800	
010.50.3150	011.50.3150	013.50.3150	3376	2922	144	3286	3014	56	45	M42	3147.5	3152.5	162	12	8	150	0.5	20	3480	171	2820	142	2380	2800
	012.50.3150	014.50.3150														22		3476	115	2816	129	2380	2800	
010.75.3550	011.75.3550	013.75.3550	3776	3322	144	3686	3414	56	45	M42	3547.5	3552.5	162	12	8	150	0.5	20	3880	191	3220	162	2690	3200
	012.75.3550	014.75.3550														22		3894	174	3212	147	2690	3200	
010.50.3550	011.50.3550	013.50.3550	3776	3322	144	3686	3414	56	45	M42	3547.5	3552.5	162	12	8	150	0.5	20	3880	191	3220	162	2690	3200
	012.50.3550	014.50.3550														22		3894	174	3212	147	2690	3200	
010.75.4000	011.75.4000	013.75.4000	4226	3772	144	4136	3864	60	45	M42	3997.5	4002.5	162	12	10	150	0.5	22	4334	194	3652	167	3020	3600
	012.75.4000	014.75.4000														25		4350	171	3650	147	3020	3600	
010.50.4000	011.50.4000	013.50.4000	4226	3772	144	4136	3864	60	45	M42	3997.5	4002.5	162	12	10	150	0.5	22	4334	194	3652	167	3020	3600
	012.50.4000	014.50.4000														25		4350	171	3650	147	3020	3600	
010.75.4500	011.75.4500	013.75.4500	4726	4272	144	4636	4364	60	45	M42	4497.5	4502.5	162	12	8	150	0.5	22	4840	271	4158	190	3410	4000
	012.75.4500	014.75.4500														25		4850	191	4150	167	3410	4000	
010.50.4500	011.50.4500	013.50.4500	4726	4272	144	4636	4364	60	45	M42	4497.5	4502.5	162	12	8	150	0.5	22	4840	271	4158	190	3410	4000
	012.50.4500	014.50.4500														25		4850	191	4150	167	3410	4000	

Internal Gear



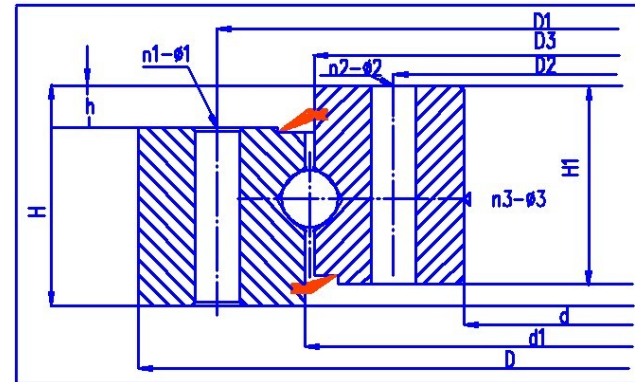
Model	Dimension			Mounting dimension						Structure dimension						Gear parameter			Internal Gear		Load	Mass
	D	d	H	D ₁	D ₂	n ₁	n ₂	Φ ₁	Φ ₂	D ₃	d ₁	H ₁	h	n ₃	Φ ₃	m	b	x	da	Z		
	mm			mm		pc		mm		mm						mm	mm		mm			
2788/850K	976	850	80	--	--	--	--	--	--	916	919	80	--	--	--	2	20	0	816	456	174	117
3-646G2	1200	--	56	1170	1044	16	24	17.5	10.5	1088	1092	46	12	4	M8*1	6	44	0	985	166	210	84.1
2782/1000GK	1270	1000	100	1220	1050	24	24	17/M12	17/M12	1133	1137	85	15	2	M10*1	6	70	0	972.6	164	384	322
2787/1210G2	1530	1210	122	1480	1260	40	40	26	26	1368	1372	108	12	4	M10*1	10	80	0	1164	118	713	540
2787/1400GK	1715	1400	110	1660	1460	24	24	M20	M20	1558	1562	95	15	2	M12*1.25	6	77	-0	1364.5	230	365	545
2787/1400GK1	1715	1400	110	1660	1460	24	24	23	23	1558	1562	95	15	2	M10*1	6	77	-0	1364.5	230	365	545
2787/1440	1780	1440	100	1730	1494	48	48	22	M20	1618	1622	85	10	4	M12*1.25	8	50	0	1400	177	503	554
2787/1440G	1780	1440	100	1730	1494	48	48	22	M20	1618	1622	85	10	4	M12*1.25	8	50	0	1400	177	578	554
2768/1440G	1780	1440	104	1730	1494	48	48	22	M20	1613	1627	87	10	6	M12*1.25	8	52	0	1400	177	578	555
2787/1525G2	1875	1525	140	1815	1585	42	42	29	29	1698	1702	122	17	4	M12*1.25	16	110	0.4	1452.3	92	873	1019
2788/1712	2050	1790	112	2006	1847	36	72	22	22	1925	1926	92	12	18	M10*1	16	100	-1	1712	108	604	663
2789/2230	2488	2230	160	2445	2275	48	48	M20	M22	2337.5	2342.5	135	5	8	ZG1/4in	18	145	0	2144.3	121	1247	1114
2789/2240G2	2500	2240	140	2454	2280	56	56	M24	M24	2357.5	2362.5	115	5	8	M14*1.5	18	125	0	2145.6	121	856	1161
2789/2735	2990	2735	160	2954	2770	48	48	M20	M24	2835	2845	135	5	8	ZG1/4in	22	144	0	2624.6	121	1559	1457

External Gear

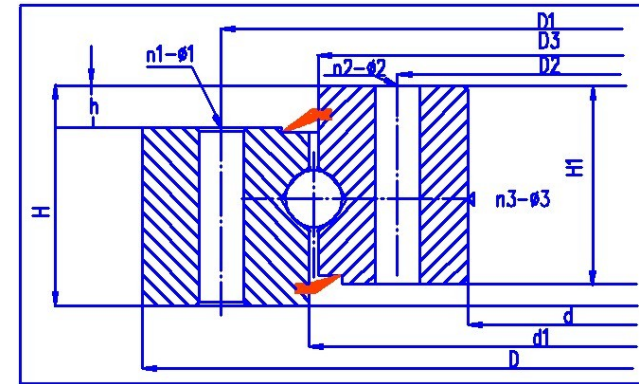


Model	Dimension			Mounting dimension						Structure dimension						Gear parameter			Internal Gear		Load	Mass
	D	d	H	D ₁	D ₂	n ₁	n ₂	Φ ₁	Φ ₂	D ₃	d ₁	H ₁	h	n ₃	Φ ₃	m	b	x	Da	Z		
	mm			mm		pc		mm		mm							mm		mm			
D178794	694	470	77	630	500	18	18	M16	18	567.5	564.5	64	13	6	M10*1	6	60	0	696	114	157	93.1
1787/600G	786	600	72	740	636	20	24	M18*2.5	19	689	691	60	7	4	ZG1/8in	6	50	0	789	131	107	94.1
1787/674G2	853	674	70	825	709	34	23	20	M20	764	768	59	10	2	ZG1/8in	7	50	0	889	125	183	89
1787/674G2K	853	674	70	825	709	34	24	18	18	764	768	59	10	2	ZG1/8in	7	50	0	889	125	183	88.6
1787/710G2	894	710	67	845	744	8	8	M10	M10	798	806	58	9	3	M10*1	6	55	0	924	152	179	107
1787/710G2K	894	710	67	875	760	8	12	M10	M12	798	806	58	9	3	M10*1	6	55	0	924	152	179	107
1787/710G2K1	894	710	67	865	744	20	20	13	13	798	806	58	9	4	M10*1	6	55	0	924	152	179	107
1787/800G	1050	800	90	1012	838	30	30	20	20	923	927	76	16	3	M10*1	6	60	0	1092	180	215	217
1787/800GK	1050	800	90	1012	838	30	30	20	20	923	927	76	16	3	M10*1	6	60	0	1092	180	215	217
1788/1040G2	--	1040	80	1220	1080	30	30	M16	17.5	1153	1157	70	10	--	--	10	70	0	1314.1	125	297	251
1787/1060G	1335	1060	109	1295	1105	24	24	M20	22	1198	1202	100	9	4	M8*1	10	80	-1	1388	138	501	407
1787/1075	1365	1075	120	1310	1130	36	36	26	26	1218	1222	105	15	4	M8*1	8	90	0	1424	176	463	463
1787/1075K	1365	1075	130	1310	1130	36	36	24	24	1218	1222	105	10	--	--	10	120	0	1420	140	463	550
1787/1075G2	1365	1075	120	1310	1130	36	36	24	24	1218	1222	105	15	4	M10*1	10	90	1.4	1424.9	138	463	463
1787/1075G2K	1365	1075	120	1310	1130	36	36	M24	26	1218	1222	105	15	4	M8*1	8	90	0	1424	176	463	463
1787/1330G2	1475	1330	82	1510	1362	24	24	18.5	18.5	1439	1445	70	12	6	M10*1	9	70	0	1584	174	353	280
3-647G	1407	1352	100	1370	1404	18	13	M8	M10	1390	1394	63	--	8	6	5	60	0	1449	320	216	143
1788/1410G2	--	1410	85	1590	1454	36	36	M16	17.5	1524.6	1528.6	70	15	--	--	10	70	0	1676.4	160	395	312
1787/1640G	2050	1640	160	1990	1710	30	30	28	28	1844	1856	140	20	2	M14*1.5	10	105	-1	2108	210	1118	1264
1787/1700	1945	1700	120	1900	1750	24	24	M18	21	1825	1845	110	10	4	M10*1	5	35	0	1970	392	405	516
1789/1700GM	2052	1700	100	1980	1780	24	24	20	M18	1878	1882	90	10	4	M14*1.5	5	50	0	2080	414	551	678
1787/2650G2	2885	2650	100	2850	2700	48	48	M20	M20	2777	2781	80	10	6	ZG1/4in	12	80	0	2949.6	244	913	751

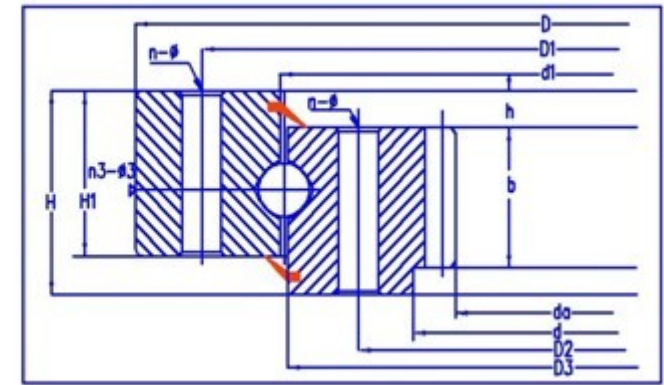
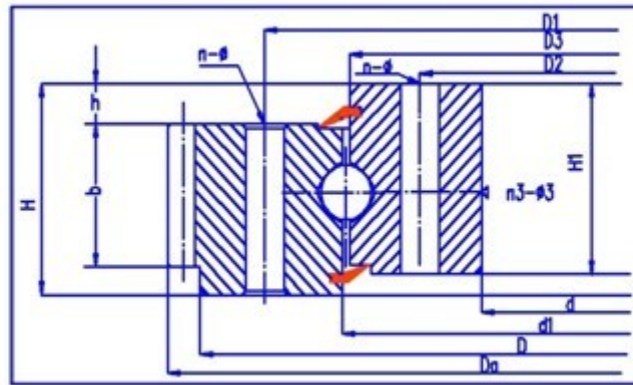
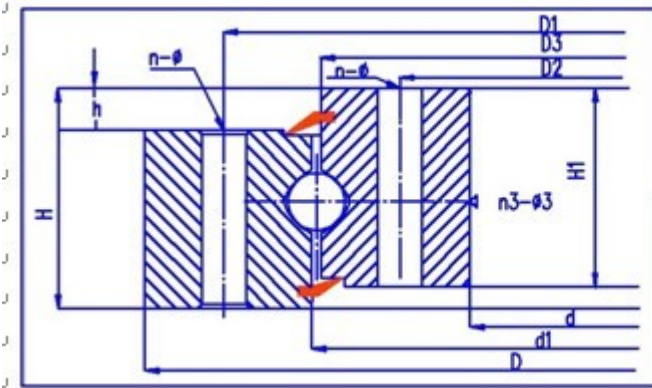
Non Gear



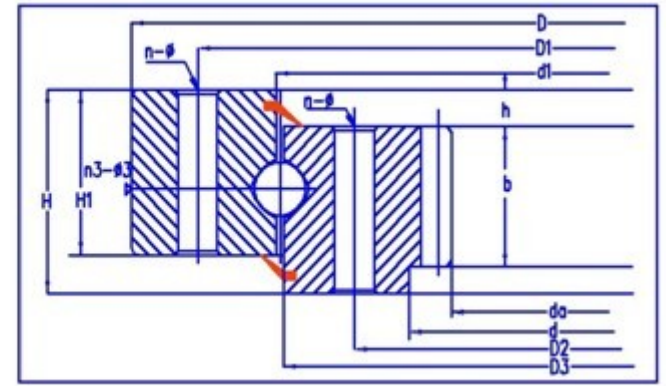
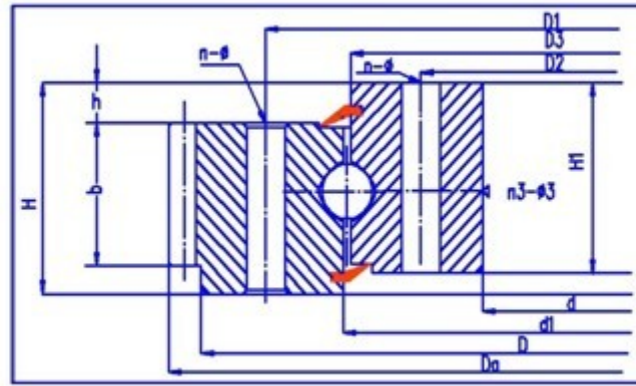
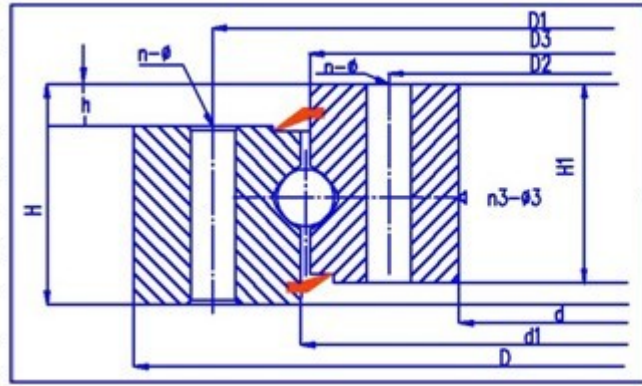
Model	Dimension			Mounting dimension						Structure dimension						Load	Mass
	D	d	H	D ₁	D ₂	n ₁	n ₂	Φ ₁	Φ ₂	D ₃	d ₁	H ₁	h	n ₃	Φ ₃		
	mm			mm		pc		mm		mm							
116752	480	260	60	444	296	16	16	14	14	360	380	60	--	--	--	75.4	55
116752K	480	260	60	--	--	--	--	--	--	360	380	60	--	--	--	75.4	58.6
176792	590	460	45	570	488	8	12	M10	10	518	542	45	--	--	--	62.6	35.9
176792K	590	460	45	570	488	12	12	10	10	518	542	45	--	--	--	62.6	36
176792K2M	590	460	45	570	488	12	8	10	10	526	534	45	--	--	--	94.4	30.8
1167/530	780	530	60	740	560	20	20	17	13	645	665	35	--	--	--	112	103
1167/560	720	560	36	690	590	12	12	14	12	638.5	641.5	33	3	--	--	70.8	40.3
1167/560K	720	560	36	690	590	12	32	M12	16	634	646	36	3	--	--	70.8	39.2
1167/560M	720	560	36	690	590	12	12	14	12	638.5	641.5	36	3	--	--	70.8	38.1
1168/560	780	560	60	--	--	--	--	--	--	645	668	60	3	--	--	224	103
11768/630	780	630	69	--	--	--	--	--	--	718	722	69	--	--	--	111	79.4
1167/700	900	700	36	860	740	12	12	M16	17	796	804	36	3	--	--	179	60
E787/760G2	950	760	80	915	795	24	24	18	M16	853.5	856.5	71	9	4	M10*1	203	138
3-640	1000	775	64	948	802	24	12/12	M12	13/M12	878	882	49	15	2	M8*1	196	112
3-640K	1000	775	64	948	802	24	12/12	M12	13/M12	878	882	49	15	2	M8	196	112



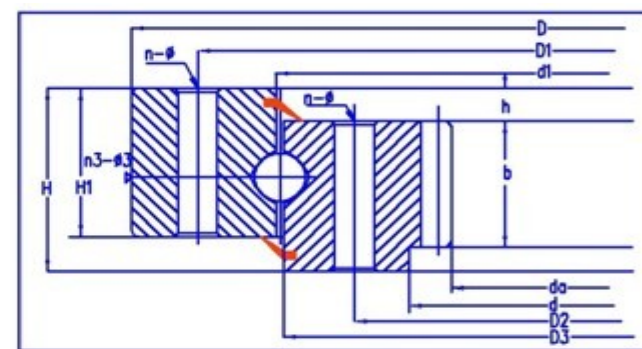
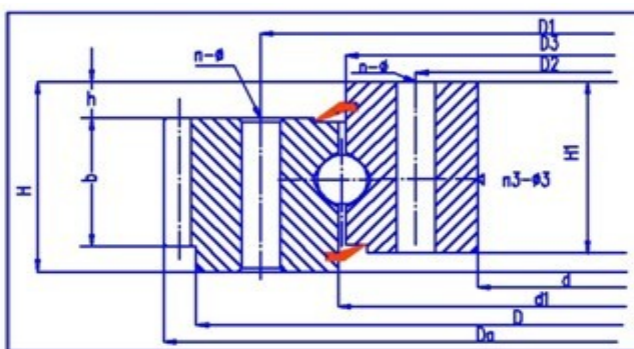
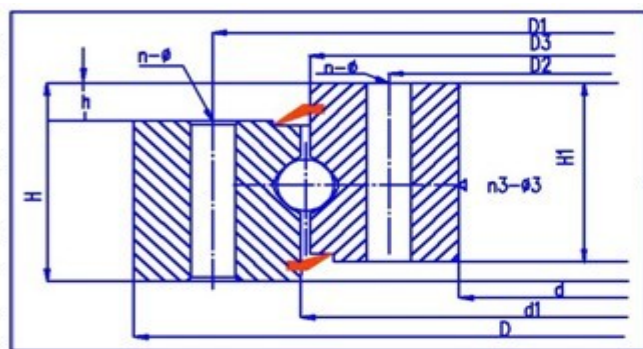
Model	Dimension			Mounting dimension						Structure dimension						Load 10 ⁴ N	Mass Kgs
	D	d	H	D ₁	D ₂	n ₁	n ₂	Φ ₁	Φ ₂	D ₃	d ₁	H ₁	h	n ₃	Φ ₃		
	mm			mm		pc		mm		mm							
787/800G	1050	800	90	1012	838	30	30	20	20	923	927	76	16	3	M10*1	215	192
71769/850Y	1120	850	85	1074	924	12	12	M20	22	995	1010	85	--	--	--	151	248
71769/850G2K	1120	850	85	1074	924	12	12	17	22	999	1003	85	--	--	--	210	257
787/932G2	1200	932	120	1148	984	40	40	26	M24	1064	1068	100	20	4	G1/4in	349	328
787/960G2	1165	960	90	1135	1040	36	36	18	M16	1073	1077	78	14	6	M10*1	249	202
787/1000G2	1250	1000	100	1206	1044	12	12	18	M16	1123	1127	90	10	3	M10*1	540	283
787/1260G2	1509	1260	90	1465	1315	36	36	22	M20	1386	1389	70	14	2	ZG1/8in	378	274
71169/1400Y	1820	1400	136	1750	1470	24	24	35	35	1608	1612	136	--	4	M10*1	611	1114
71169/1400Y1	1820	1400	136	1750	1470	24	24	35	35	1608	1612	136	--	4	M10*1	1070	1120
787/1440G2	1780	1440	100	1730	1494	48	48	22	M20	1618	1622	85	15	4	M12*1.25	503	533
787/1628G2	1927	1628	130	1875	1680	36	36	26	M24	1774	1778	115	15	6	G1/4in	692	732
787/1700KM	2000	1700	150	1950	1750	24	24	21	21	1842	1858	130	20	4	M10*1	684	826
KDL900-6	1050	832	56	1020	862	12	12	18	18	942	946	45	--	4	M6	227	52.5
LY-Q007	485	275	55	453	307	16	16	18	M16	381	386	50	5	4	M10*1	87.2	43.7
LY-Q007K	485	275	55	453	307	16	16	18	18	381	386	50	5	4	M10*1	87.2	43.7
LY-Q020	440	240	55	400	280	18	18	M20-7H	22	340	342	50	5	3	M10*1	78.2	34.7



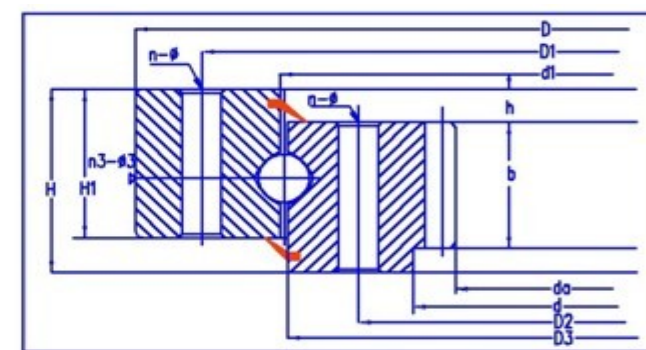
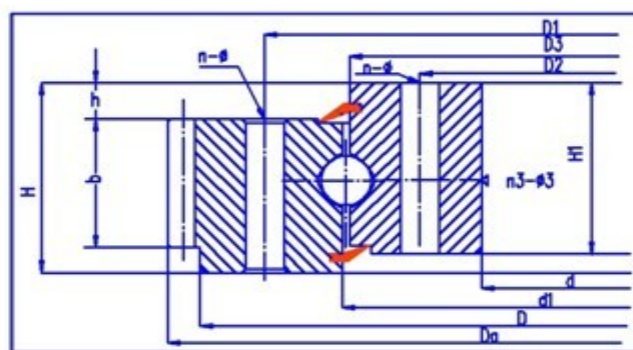
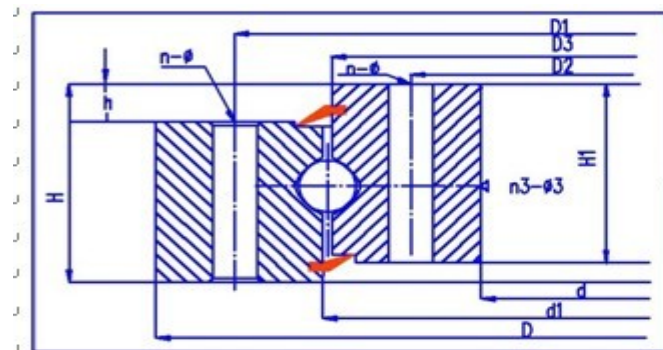
Model			Overall Dimension			Mounting Dimension				Structure Dimension			Gear Parameter		External Gear			Internal Gear			Mass
Non Gear	External Gear	Internal Gear	D	d	H	D1	D2	n	φ	n3	H1	h	b	m	x	Da	Z	x	da	Z	kgs
HSB.25.625	HSW.25.625	HSN.25.625	725	525	80	685	565	18	18	3	68	12	60	5	1.25	751.9	146	0.35	498.8	101	100
	HSW.25.625A	HSN.25.625A												6	1	755.5	122	0.35	496.7	84	
HSB.25.720	HSW.25.720	HSN.25.720	820	620	80	780	660	18	18	3	68	12	60	6	1.25	860.3	139	0.35	586.6	99	120
	HSW.25.720A	HSN.25.720A												8	0.85	861.1	104	0.35	582.3	74	
HSB.30.820	HSW.30.820	HSN.30.820	940	705	95	893	749	24	20	4	83	12	70	6	1.25	980.4	159	0.35	664.5	112	210
	HSW.30.820A	HSN.30.820A												10	0.85	986.2	95	0.35	658	67	
HSB.30.(32)880	HSW.30.(32)880	HSN.30.(32)880	1000	760	95	956	800	24	20	4	83	12	70	8	1	1047.5	127	0.35	718.2	91	230
	HSW.30.(32)880A	HSN.30.(32)880A												10	0.85	1046.3	101	0.35	707.9	72	
HSB.30.(32)1020	HSW.30.(32)1020	HSN.30.(32)1020	1170	875	95	1120	930	24	22	4	80	15	70	8	1.25	1219.3	148	0.35	830.1	105	300
	HSW.30.(32)1020A	HSN.30.(32)1020A												10	1	1219.2	118	0.35	827.8	84	
HSB.30.(40)1220	HSW.30.(40)1220	HSN.30.(40)1220	1365	1075	120	1310	1130	36	24	6	105	15	90	10	1.25	1424.9	138	0.35	1027.8	104	450
	HSW.30.(40)1220A	HSN.30.(40)1220A												12	0.85	1435.9	116	0.35	1017.3	86	
HSB.35.(40)1250	HSW.35.(40)1250	HSN.35.(40)1250	1400	1090	120	1350	1150	36	26	6	105	15	90	10	0.35	1443	143	0.35	1037	105	520
	HSW.35.(40)1250A	HSN.35.(40)1250A												12	0.85	1449.6	117	0.35	1028.8	87	
HSB.35.(40)1435	HSW.35.(40)1435	HSN.35.(40)1435	1595	1278	120	1535	1335	36	26	6	105	15	90	12	1	1655.5	134	0.35	1221.2	103	610
	HSW.35.(40)1435A	HSN.35.(40)1435A												14	0.85	1661.2	115	0.35	1214.8	88	
HSB.35.(50)1540	HSW.35.(50)1540	HSN.35.(50)1540	1720	1360	140	1660	1420	42	26	6	122	18	110	12	1.4	1780.8	144	0.35	1293.1	109	732
	HSW.35.(50)1540A	HSN.35.(50)1540A												14	1	1791.1	124	0.35	1284.8	93	
HSB.35.(50)1700	HSW.35.(50)1700	HSN.35.(50)1700	1875	1525	140	1815	1585	42	29	6	122	18	110	14	1	1945.4	135	0.35	1452.7	105	844
	HSW.35.(50)1700A	HSN.35.(50)1700A												16	1	1950.8	118	0.35	1452.3	92	



Model			Overall Dimension			Mounting Dimension				Structure Dimension			Gear Parameter		External Gear			Internal Gear			Mass
Non Gear	External Gear	Internal Gear	D	d	H	D1	D2	n	φ	n3	H1	h	b	m	x	Da	Z	x	da	Z	kgs
HSB.40.(50)1880	HSW.40.(50)1880	HSN.40.(50)1880	2100	1665	160	2030	1740	48	32	6	140	20	118	14	1.25	2189.8	152	0.35	1592.6	115	1400
	HSW.40.(50)1880A	HSN.40.(50)1880A												18	1	2194.6	118	0.35	1579.9	89	
HSB.40.(50)2115	HSW.40.(50)2115	HSN.40.(50)2115	2325	1900	160	2245	1980	48	32	6	140	20	115	16	1.25	2406.5	146	0.35	1804.1	114	1600
	HSW.40.(50)2115A	HSN.40.(50)2115A												20	1	2418.4	117	0.35	1795.4	91	
HSB.40.(60)2370	HSW.40.(60)2370	HSN.40.(60)2370	2600	2146	180	2520	2220	48	32	6	158	22	130	18	1.25	2707.3	146	0.35	2065.6	116	2100
	HSW.40.(60)2370A	HSN.40.(60)2370A												22	1	2704.4	119	0.35	2040.9	94	
HSB.40.(60)2600	HSW.40.(60)2600	HSN.40.(60)2600	2835	2365	180	2750	2450	54	36	6	158	22	130	18	1.25	2941.7	159	0.35	2263.5	127	2400
	HSW.40.(60)2600A	HSN.40.(60)2600A												22	1	2946.9	130	0.35	2260.8	104	
HSB.50.(60)2820	HSW.50.(60)2820	HSN.50.(60)2820	3085	2555	200	3000	2640	54	36	6	178	22	150	20	1.25	3188.4	155	0.35	2455	124	3400
	HSW.50.(60)2820A	HSN.50.(60)2820A												25	1	3198.4	124	0.35	2444.1	99	
HSB.50.(60)3120	HSW.50.(60)3120	HSN.50.(60)3120	3400	2840	200	3310	2930	54	36	6	178	22	150	22	1.25	3507.2	155	0.35	2722.5	125	4000
	HSW.50.(60)3120A	HSN.50.(60)3120A												25	1.25	3509.6	136	0.35	2719	110	
HSB.50.(60)3580	HSW.50.(60)3580	HSN.50.(60)3580	3920	3240	240	3820	3340	60	40	6	218	22	190	22	1.25	4036.1	179	0.35	3118.4	143	6700
	HSW.50.(60)3580A	HSN.50.(60)3580A												25	1.25	4035.6	157	0.35	3118.8	126	
HSB.50.(60)4030	HSW.50.(60)4030	HSN.50.(60)4030	4370	3690	240	4270	3790	66	40	6	218	22	190	22	1.25	4520.6	201	0.35	3558.3	163	7700
	HSW.50.(60)4030A	HSN.50.(60)4030A												28	1.25	4522	157	0.35	3549	128	
HSB.50.(60)4540	HSW.50.(60)4540	HSN.50.(60)4540	4860	4210	240	4760	4310	72	40	6	218	22	190	22	1.25	4983	222	0.35	4042.2	185	8760
	HSW.50.(60)4540A	HSN.50.(60)4540A												30	1.25	4992.9	162	0.35	4042.4	136	

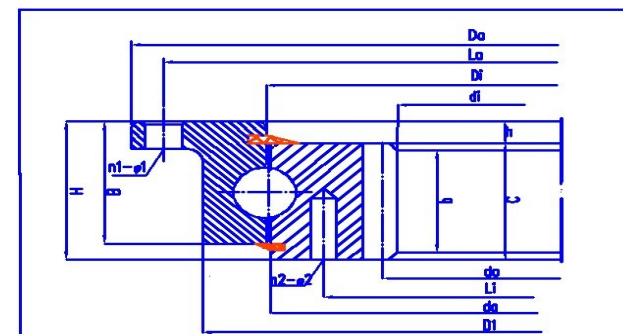


Model QU.QW.QN Series	Overall Dimension				Mounting Dimension							Structure Dimension					Gear Parameter				Mass			
	External		Internal		H	D ₁	D ₂	n	Hole	Thread		n ₃	D ₃	d ₁	H ₁	h	b	m	External		Internal		External	Internal
	D	d	D	d					A	Hole									D _a	Z	d _a	Z		
									φ	φ	T													
500.20	590	407	593	410	60	555	445	14	17	M16	24	2	501	499	50	10	40	5	615	122	385	78	56	55
500.20A																		6	624	103	378	64	58	57
560.20	654	464	656	468	70	618	502	14	17	M16	30	2	561	599	60	10	50	4	680	169	440	111	78	76
560.20A																		5	685	136	435	88	79	77
630.20	724	534	726	538	70	688	572	16	17	M16	30	2	631	629	60	10	50	4	748	186	512	129	86	84
630.20A																		5	755	150	505	102	88	86
710.20	804	614	806	618	70	768	652	18	17	M16	30	2	711	709	60	10	50	5	835	166	585	118	99	97
710.20A																		6	840	139	582	98	101	97
800.20	894	704	896	708	70	858	742	20	17	M16	30	2	801	799	60	10	50	6	930	154	672	113	114	110
800.20A																		8	936	116	664	84	114	111
800.25	904	692	908	694	78	864	736	18	22	M20	36	2	801	799	68	10	58	6	942	156	654	110	143	142
800.25A													801	799				8	952	118	648	82	147	142
900.25	1004	792	1008	794	78	964	836	20	22	M20	36	2	901	899	60	10	58	8	1048	130	744	94	162	163
900.25A													901	899				10	1060	105	740	75	168	162
1000.25	1104	892	1108	894	78	1064	936	24	22	M20	36	2	1001	999	60	10	58	8	1152	143	848	107	182	178
1000.25A													1001	999				10	1160	115	840	85	185	179
1000.32	1120	876	1124	880	90	1074	926	24	24	M22	40	2	1001	999	80	10	70	8	1160	144	832	105	227	230
1000.32A													1001	999				10	1170	116	830	84	232	227
1120.32	1240	996	1244	1000	90	1194	1046	28	24	M22	40	4	1121	1199	80	10	70	10	1300	129	940	95	272	263
1120.32A													1121	1199				12	1308	108	936	79	275	262
1250.32	1370	1126	1374	1130	90	1324	1176	32	24	M22	40	4	1251	1249	80	10	70	10	1430	142	1070	108	302	294
1250.32A													1251	1249				12	1440	119	1068	90	309	290



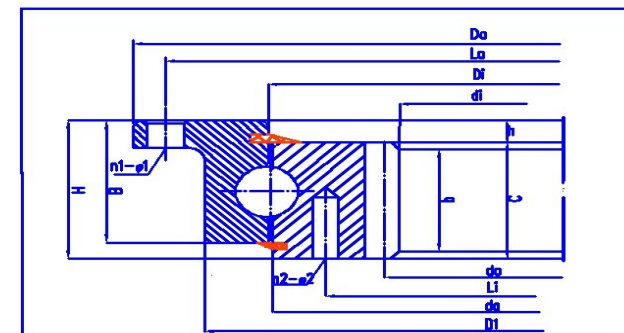
QU.QW.QN Series	Overall Dimension				H	Mounting Dimension				Structure Dimension				Gear Parameter				Mass						
	External		Internal			D ₁	D ₂	n	Hole	Thread	n3	D3	d1	H ₁	h	b	m	External		Internal		External	Internal	
	D	d	D	d					A	B.C.D								X=-0.5	X=+0.5					
	φ	φ	φ	φ					T	D _e								Z	D _e	Z				
1400.32	1520	1276	1524	1280	90	1474	1326	36	24	M22	40	4	1401	1399	80	10	70	12	1584	131	1212	102	337	333
1400.32A													1401	1399				14	1596	113	1204	87	347	336
1250.4	1390	1108	1394	1110	102	1336	1164	32	26	M24	45	4	1251	1249	90	12	80	10	1450	144	1050	106	396	388
1250.40A													1251	1249				12	1452	120	1044	88	392	388
1400.4	1540	1258	1544	1260	102	1486	1314	36	26	M24	45	4	1401	1399	90	12	80	12	1608	133	1188	100	448	444
1400.40A													1401	1399				14	1610	114	1190	86	443	434
1600.4	1740	1458	1744	1460	102	1686	1514	40	26	M24	45	4	1601	1599	90	12	80	12	1812	150	1392	117	528	509
1600.40A													1601	1599				14	1820	129	1386	100	534	511
1800.4	1940	1658	1944	1660	102	1886	1714	44	26	M24	45	4	1801	1799	90	12	80	14	2016	143	1582	114	583	576
1800.40A													1801	1799				16	2032	126	1568	99	607	591
1600.5	1762	1434	1766	1438	124	1704	1496	40	30	M27	50	4	1601	1599	112	12	100	12	1824	151	1368	115	714	714
1600.50A													1601	1599				14	1834	130	1358	98	727	723
1800.5	1964	1634	1966	1638	124	1904	1696	44	30	M27	50	4	1801	1799	112	12	100	14	2044	145	1568	113	845	794
1800.50A													1801	1799				16	2048	127	1552	98	843	818
2000.5	2162	1834	2166	1842	124	2104	1896	48	30	M27	50	6	2001	1999	112	12	100	16	2240	139	1760	111	912	891
2000.50A													2001	1999				18	2250	124	1746	98	927	913
2240.5	2402	2074	2406	2078	124	2344	2136	54	30	M27	50	6	2241	2239	112	12	100	16	2480	154	1984	125	1020	1044
2240.50A													2241	2339				18	2502	138	1980	111	1078	1041
2500.5	2662	2334	2666	2342	124	2604	2396	60	30	M27	50	6	2501	2499	112	12	100	18	2754	152	2250	126	1171	1132
2500.50A													2501	2499				20	2760	137	2240	113	1175	1148
2500.6	2696	2304	2696	2308	150	2626	2374	60	33	M30	56	6	2501	2499	136	14	122	18	2790	154	2214	124	1677	1621
2500.60A													2501	2499				20	2800	139	2200	111	1701	1654
2800.6	2992	2604	2996	2608	150	2926	2674	66	66	M30	56	6	2801	2799	136	14	122	18	3078	170	2502	140	1817	1871
2800.60A													2801	2799				20	3100	154	2500	126	1904	1857

External Flange



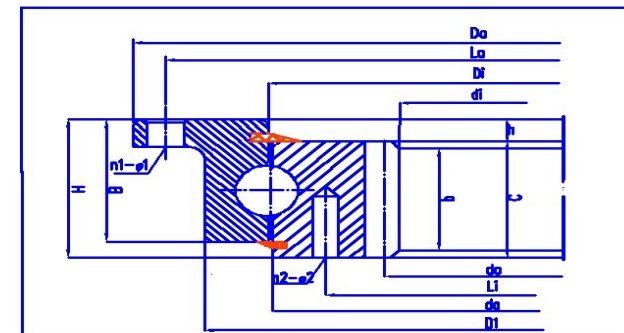
INA Model	Overall Dimension			Mounting Dimension						Structure Dimension							Gear (mm)				Axial Load	Mass
	Da	di	H	La	Li	n1	n2	φ1	φ2	D1	b	h	B	C	Di	da	m	z	do	x		
	mm			mm						mm												kgs
VLI200414N ZT	518	325	56	490	375	8	12	φ18	M12	459	40	11.5	44.5	47.5	415.5	412.5	5	67	335	0	600	28.5
VLI 20 0414N ZT RL2	516	325	56	490	375	8	12	φ18	M12	456	40	11.5	44.5	47.5	415.5	412.5	5	67	335	0	300	36.3
VLI200414N	518	325	56	490	375	8	12	18	M12	456	40	8.5	44.5	47.5	415.5	412.5	5	67	335	0	295	27.5
VLI200544N ZT	648	444	56	620	505	10	16	φ18	M12	589	44.5	11.5	44.5	47.5	545.5	542.5	6	76	456	0	790	40.6
VLI200544N	648	444	56	620	505	10	16	18	M12	589	44.5	11.5	44.5	47.5	545.5	542.5	6	76	456	0	385	38
VLI200644N ZT	748	546	56	720	605	12	18	φ18	M12	689	44.5	11.5	44.5	47.5	645.5	642.5	6	93	558	0	900	47.4
VLI200644N	748	546	56	720	605	12	18	18	M12	689	44.5	8.5	44.5	47.5	645.5	642.5	6	93	558	0	455	45
VLI200744N ZT	848	648	56	820	705	12	20	φ18	M12	789	44.5	11.5	44.5	47.5	745.5	742.5	6	110	660	0	530	54
VLI200744N	848	648	56	820	705	12	20	18	M12	789	44.5	8.5	44.5	47.5	745.5	742.5	6	110	660	0	530	51.5
VLI200844N ZT	948	736	56	920	805	14	20	φ18	M12	889	44.5	11.5	44.5	47.5	845.5	842.5	8	94	752	0	1200	65.2
VLI200844N	948	736	56	920	805	14	20	18	M12	889	44.5	8.5	44.5	47.5	845.5	842.5	8	94	752	0	600	61.5
VLI300955N	1100	810	90	1060	894	30	30	22	M20		71	19	71	71	953	957	10	83	830	0	2550	164
VLI200944N ZT	1048	840	56	1020	905	16	22	φ18	M12	989	44.5	11.5	44.5	47.5	945.5	942.5	8	107	856	0	1350	71
VLI200944N	1048	840	56	1020	905	16	22	18	M12	989	44.5	8.5	44.5	47.5	945.5	942.5	8	107	856	0	670	67.5
VLI301055N	1200	910	90	1160	994	30	30	22	M20		71	19	71	71	1053	1057	10	93	930	0	2800	181
VLI201094N ZT	1198	984	56	1170	1055	16	24	φ18	M12	1139	44.5	11.5	44.5	47.5	1096	1093	8	125	1000	0	2000	80
VLI201094N	1198	984	56	1170	1055	16	24	18	M12	1139	44.5	8.5	44.5	47.5	1096	1093	8	125	1000	0	770	81.5
VLI301155N	1300	1010	90	1260	1094	36	36	22	M20*40		71	19	71	71	1153	1157	10	103	1030	0	3100	198
VLI301255N	1400	1110	90	1360	1194	42	42	22	M20*40		71	19	71	71	1253	1257	10	113	1130	0	3350	215
VLI301355N	1500	1210	90	1460	1294	42	42	22	M20*40		71	19	71	71	1353	1357	10	123	1230	0	3600	233
VLI301455N	1600	1310	90	1560	1394	48	48	22	M20*40		71	19	71	71	1453	1457	10	133	1330	0	4000	251

External Flange



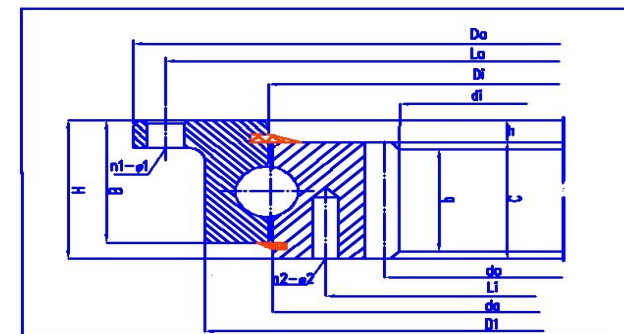
Rothe Erde Model	Overall Dimension			Mounting Dimension						Structure Dimension							Gear (mm)				Axial Load	Mass
	Da	di	H	La	Li	n1	n2	φ1	φ2	D1	b	h	B	C	Di	da	m	z	do	x		
	mm			mm						mm												Kgs
232.20.0400.013	518	326.5	56	490	375	8	12	18	M12		45.5	10.5	45.5	45.5	415.5	412.5	5	67	335	0	250	27.1
232.20.0400.503	518	326.5	56	490	375	16	12	18	M12		45.5	10.5	45.5	45.5	415.5	412.5	5	67	335	0	250	26.9
232.21.0475.013	517	326.5	56	490	375	8	12	18	M12		45.5	10.5	45.5	45.5	415.5	411	5	67	335	0	250	27.1
232.20.0500.013	648	445.2	56	620	505	10	16	18	M12		45.5	10.5	45.5	45.5	545.5	542.5	6	76	456	0	330	36.9
232.20.0500.503	648	445.2	56	620	505	20	16	18	M12		45.5	10.5	45.5	45.5	545.5	542.5	6	76	456	0	330	36.7
232.21.0575.013	647	445.2	56	620	505	10	16	18	M12		45.5	10.5	45.5	45.5	545.5	541	6	76	456	0	330	36.9
232.20.0600.013	748	547.2	56	720	605	12	18	18	M12		45.5	10.5	45.5	45.5	645.5	642.5	6	93	558	0	390	43.7
232.20.0600.503	748	547.2	56	720	605	24	18	18	M12		45.5	10.5	45.5	45.5	645.5	642.5	6	93	558	0	390	43.4
232.21.0675.013	747	547.2	56	720	605	12	18	18	M12		45.5	10.5	45.5	45.5	645.5	641	6	93	558	0	390	43.7
232.20.0700.013	848	649.2	56	820	705	12	20	18	M12		45.5	10.5	45.5	45.5	745.5	742.5	6	110	660	0	450	51.1
232.20.0700.503	848	649.2	56	820	705	24	20	18	M12		45.5	10.5	45.5	45.5	745.5	742.5	6	110	660	0	450	50.8
232.21.0775.013	847	649.2	56	820	705	12	20	18	M12		45.5	10.5	45.5	45.5	745.5	741	6	110	660	0	450	51.1
232.20.0800.013	948	737.6	56	920	805	14	20	18	M12		45.5	10.5	45.5	45.5	845.5	842.5	8	94	752	0	510	61.6
232.20.0800.503	948	737.6	56	920	805	28	20	18	M12		45.5	10.5	45.5	45.5	845.5	842.5	8	94	752	0	510	61.3
232.21.0875.013	947	737.6	56	920	805	14	20	18	M12		45.5	10.5	45.5	45.5	845.5	841	8	94	752	0	510	61.6
282.30.0900.013	1100	812	90	1060	894	30	30	22	M20		71	19	71	71	953.5	956.5	10	83	830	0	1750	159
282.30.0975.013	1098	812	90	1060	894	30	30	22	M20		71	19	71	71	953.5	955	10	83	830	0	1750	159

External Flange



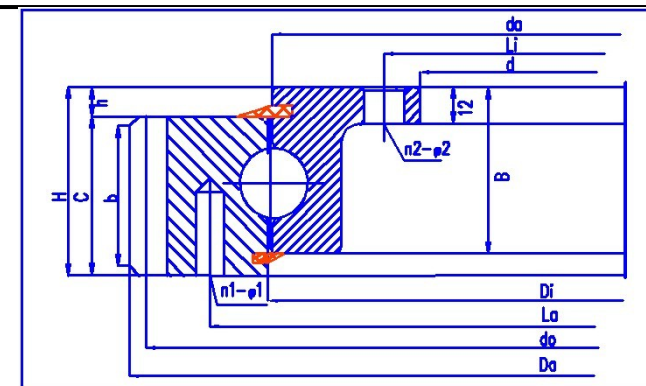
Rothe Erde Model	Overall Dimension			Mounting Dimension						Structure Dimension						Gear (mm)				Axial Load	Mass	
	Da	di	H	La	Li	n1	n2	φ1	φ2	D1	b	h	B	C	Di	da	m	z	do			x
	mm			mm						mm										Kgs		
232.20.0900.013	1048	841.6	56	1020	905	16	22	18	M12		45.5	10.5	45.5	45.5	845.5	942.5	8	107	856	0	570	65.8
232.20.0900.503	1048	841.6	56	1020	905	32	22	18	M12		45.5	10.5	45.5	45.5	845.5	942.5	8	107	856	0	570	65.4
232.21.0975.013	1047	841.6	56	1020	905	16	22	18	M12		45.5	10.5	45.5	45.5	845.5	941	8	107	856	0	570	65.8
282.30.1000.013	1200	912	90	1160	994	30	30	22	M20		71	19	71	71	1054	1057	10	93	930	0	1840	176
282.30.1075.013	1198	912	90	1160	994	30	30	22	M20		71	19	71	71	1054	1055	10	93	930	0	1840	176
232.20.1000.013	1198	985.6	56	1170	1055	16	24	18	M12		45.5	10.5	45.5	45.5	1096	1093	8	125	1000	0	665	80.7
232.20.1000.503	1198	985.6	56	1170	1055	32	24	18	M12		45.5	10.5	45.5	45.5	1096	1093	8	125	1000	0	665	80.3
232.21.1075.013	1197	985.6	56	1170	1055	16	24	18	M12		45.5	10.5	45.5	45.5	1096	1091	8	125	1000	0	665	80.7
282.30.1100.013	1300	1012	90	1260	1094	36	36	22	M20		71	19	71	71	1154	1157	10	103	1030	0	1900	192
282.30.1175.013	1298	1012	90	1260	1094	36	36	22	M20		71	19	71	71	1154	1155	10	103	1030	0	1900	192
282.30.1200.013	1400	1112	90	1360	1194	42	42	22	M20		71	19	71	71	1254	1257	10	113	1130	0	1950	208
282.30.1275.013	1398	1112	90	1360	1194	42	42	22	M20		71	19	71	71	1254	1255	10	113	1130	0	1950	208
282.30.1300.013	1500	1212	90	1460	1294	42	42	22	M20		71	19	71	71	1354	1357	10	123	1230	0	2000	226
282.30.1375.013	1498	1212	90	1460	1294	42	42	22	M20		71	19	71	71	1354	1355	10	123	1230	0	2000	226
282.30.1400.013	1600	1310	90	1560	1394	48	48	22	M20		71	19	71	71	1454	1457	10	133	1330	0	2050	243
282.30.1475.013	1598	1310	90	1560	1394	48	48	22	M20		71	19	71	71	1454	1455	10	133	1330	0	2050	243

External Flange



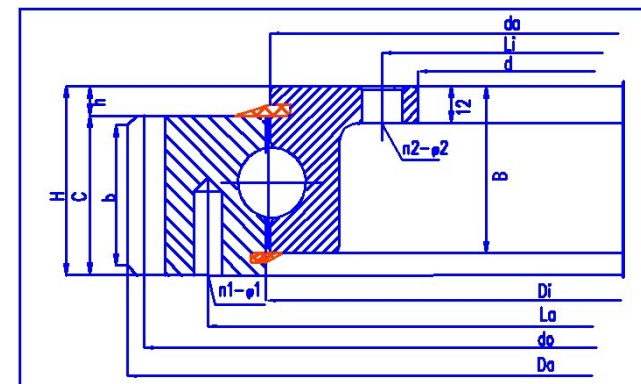
TG Model	Overall Dimension			Mounting Dimension						Structure Dimension							Gear (mm)				Axial Load	Mass
	Da	di	H	La	Li	n1	n2	φ1	φ2	D1	b	h	B	C	Di	da	m	z	do	x		
	mm			mm																	mm	
I.505.20.00.C	518	326.5	56	490	375	8	12	φ18	M12	453	46	10	46	46	415.5	412.5	5	67	335	0	500	35.4
I.650.20.00.C	648	445.2	56	620	505	10	16	φ18	M12	583	46	10	46	46	545.5	542.5	6	76	456	0	700	40.2
I.750.20.00.C	748	547.2	56	720	605	12	18	φ18	M12	683	46	10	46	46	645.5	642.5	6	93	558	0	780	53.3
I.850.20.00.C	848	649.2	56	820	705	12	20	φ18	M12	783	46	10	46	46	745.5	742.5	6	110	660	0	910	63.1
I.950.20.00.C	948	737.6	56	920	805	14	20	φ18	M12	883	46	10	46	46	845.5	842.5	8	94	752	0	1030	76.6
I.1100.32.00.C	1100	812	90	1060	894	30	30	φ12	M20	1017	71	19	71	71	955	955	10	83	830	0	2250	159
I.1050.20.00.C	1048	841.6	56	1020	905	16	22	φ18	M12	983	46	10	46	46	945.5	942.5	8	107	856	0	1440	79.8
I.1200.32.00.C	1200	912	90	1160	994	30	30	φ12	M20	1117	71	19	71	71	1055	1055	10	93	930	0	2500	176
I.1200.20.00.C	1198	985.6	56	1170	1055	16	24	φ18	M12	1133	46	10	46	46	1096	1093	8	125	1000	0	1700	101
I.1300.32.00.C	1300	1012	90	1260	1094	36	36	φ12	M20	1217	71	19	71	71	1155	1155	10	103	1030	0	2700	192
I.1400.32.00.C	1400	1112	90	1360	1194	42	42	φ12	M20	1317	71	19	71	71	1255	1255	10	113	1130	0	3000	208
I.1500.32.00.C	1500	1212	90	1460	1294	42	42	φ12	M20	1417	71	19	71	71	1355	1355	10	123	1230	0	3200	226
I.1600.32.00.C	1600	1310	90	1560	1394	48	48	φ12	M20	1517	71	19	71	71	1455	1455	10	133	1330	0	3380	243

Internal Flange



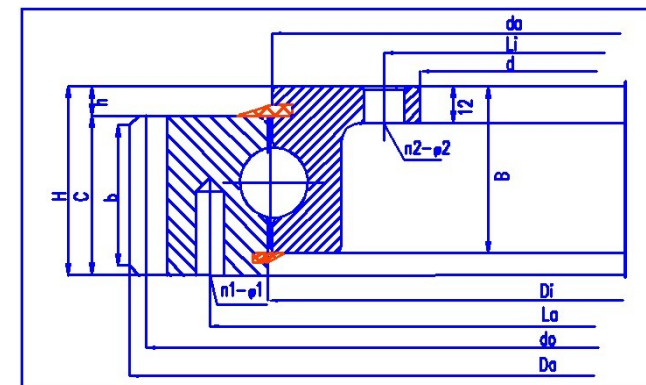
INA model	Overall Dimension			Mounting Dimension						Structure Dimension								Gear				Axial Load	Mass
	Da	d	H	La	Li	n1	n2	φ1	φ2	D1	d	b	h	B	C	Di	da	m	z	do	x		
	mm			mm				mm		mm												kgs	
VLA200414N ZT	503.3	304	56	455	332	10	12	M12	φ18	480	369.5	40	8.5	47.5	44.5	415.5	412.5	5	99	495	0	600	31.2
VLA200414N	503.3	304	56	455	332	10	12	M12	18	480		40	11.5	47.5	44.5	415.5	412.5	5	99	495	0	295	29.5
VLA200544N ZT	640.3	434	56	585	462	14	14	M12	φ18		502	44.5	11.5	44.5	44.5	545.5	542.5	6	105	630	0	670	41.5
VLA200544N ZT	640.3	434	56	585	462	14	14	M12	φ18		499.5	44.5	8.5	47.5	44.5	545.5	542.5	6	105	630	0	790	41.6
VLA200544N	640.3	434	56	585	462	14	14	M12	18			44.5	11.5	47.5	44.5	545.5	542.5	6	105	630	0	385	41.5
VLA200644N ZT	742.3	534	56	685	562	16	16	M12	φ18		599.5	44.5	8.5	47.5	44.5	645.5	642.5	6	122	732	0	900	50
VLA 200644N	742.3	534	56	685	562	16	16	M12	18			44.5	11.5	47.5	44.5	645.5	642.5	6	122	732	0	455	48.5
VLA200744N ZT	838.1	634	56	785	662	18	16	M12	φ18		699.5	44.5	8.5	47.5	44.5	745.5	742.5	6	138	828	0	1050	56
VLA 200744N	838.1	634	56	785	662	18	16	M12	18			44.5	11.5	47.5	44.5	745.5	742.5	6	138	828	0	530	54.5
VLA200844N ZT	950.1	734	56	885	762	18	18	M12	φ18		799.5	44.5	8.5	47.5	44.5	845.5	842.5	8	117	936	0	1200	66.4
VLA 200844N	950.1	734	56	885	762	18	18	M12	18			44.5	11.5	47.5	44.5	845.5	842.5	8	117	936	0	600	65.5
VLA 300955N	1096	805	90	1016	845	30	30	M20	22			71	19	71	71	953	957	9	120	1080	0	2550	170
VLA200944N ZT	1046.1	834	56	985	862	20	20	M12	φ18		899.5	44.5	8.5	47.5	44.5	945.5	942.5	8	129	1032	0	1350	72.4
VLA 200944N	1046.1	834	56	985	862	20	20	M12	18			44.5	11.5	47.5	44.5	945.5	942.5	8	129	1032	0	670	71.5
VLA 301055N	1198	905	90	1116	945	30	30	M20	22			71	19	71	71	1053	1057	10	118	1180	0	2800	188
VLA201094N ZT	1198.1	984	56	1135	1012	22	20	M12	φ18		1050	44.5	8.5	47.5	44.5	1095.5	1092.5	8	148	1184	0	2000	86
VLA 201094N	1198.1	984	56	1035	1012	22	20	M12	18			44.5	11.5	47.5	44.5	1095.5	1092.5	8	148	1184	0	770	83.5
VLA 301155N	1298	1005	90	1216	1045	36	36	M20	22			71	19	71	71	1153	1157	10	128	1280	0	3100	206
VLA 301255N	1398	1105	90	1316	1145	42	42	M20	22			71	19	71	71	1253	1257	10	138	1380	0	3350	223
VLA 301355N	1498	1205	90	1416	1245	42	42	M20	22			71	19	71	71	1353	1357	10	148	1480	0	3600	241
VLA 301455N	1598	1305	90	1516	1345	48	48	M20	22			71	19	71	71	1453	1457	10	158	1580	0	4000	258

Internal Flange



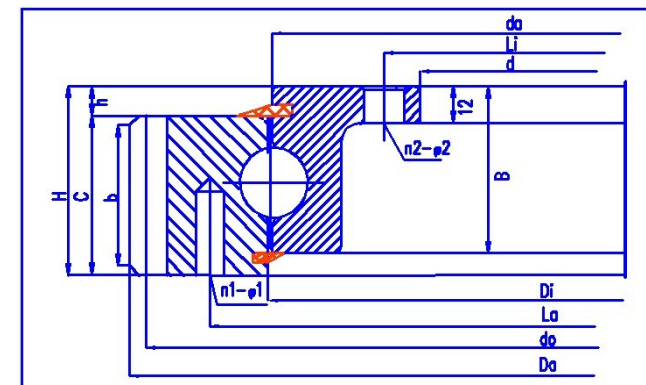
Rothe Erde model	Overall Dimension			Mounting Dimension				Structure Dimension										Gear				Axial Load	Mass kgs
	Da	d	H	La	Li	n1	n2	φ1	φ2	D1	d	b	h	B	C	Di	da	m	z	do	x		
	mm			mm				mm		mm													
231.20.0400.013	504	304	56	455	332	10	12	M12	18			45.5	10.5	45.5	45.5	415.5	412.5	5	99	495	0	250	29.3
231.20.0400.503	504	304	56	455	332	10	24	M12	18			45.5	10.5	45.5	45.5	415.5	412.5	5	99	495	0	250	29
231.21.0475.013	504	305	56	455	332	10	12	M12	18			45.5	10.5	45.5	45.5	417	412.5	5	99	495	0	250	29.3
231.20.0500.013	640.8	434	56	585	462	14	14	M12	18			45.5	10.5	45.5	45.5	545.5	542.5	6	105	630	0	330	39.5
231.20.0500.503	640.8	434	56	585	462	14	28	M12	18			45.5	10.5	45.5	45.5	545.5	542.5	6	105	630	0	330	39.2
231.20.0500.503	640.8	434	56	585	462	14	28	M12	φ18		505	45.5	10.5	45.5	45.5	545.5	542.5	6	105	630	0	660	40.6
231.21.0575.013	640.8	435	56	585	462	14	14	M12	18			45.5	10.5	45.5	45.5	547	542.5	6	105	630	0	330	39.5
231.20.0600.013	742.8	534	56	685	562	16	16	M12	18			45.5	10.5	45.5	45.5	645.5	642.5	6	122	732	0	390	47.6
231.20.0600.503	742.8	534	56	685	562	16	32	M12	18			45.5	10.5	45.5	45.5	645.5	642.5	6	122	732	0	390	47.2
231.21.0675.013	742.8	535	56	685	562	16	16	M12	18			45.5	10.5	45.5	45.5	647	642.5	6	122	732	0	390	47.6
231.20.0700.013	838.8	634	56	785	662	18	16	M12	18			45.5	10.5	45.5	45.5	745.5	742.5	6	138	828	0	450	53.5
231.20.0700.503	838.8	634	56	785	662	18	32	M12	18			45.5	10.5	45.5	45.5	745.5	742.5	6	138	828	0	450	53.1
231.21.0775.013	838.8	635	56	785	662	18	16	M12	18			45.5	10.5	45.5	45.5	747	742.5	6	138	828	0	450	53.5
231.20.0800.013	950.4	734	56	885	762	18	18	M12	18			45.5	10.5	45.5	45.5	845.5	842.5	8	117	936	0	510	65.1
231.20.0800.503	950.4	734	56	885	762	18	36	M12	18			45.5	10.5	45.5	45.5	845.5	842.5	8	117	936	0	510	64.7
231.21.0875.013	950.4	735	56	885	762	18	18	M12	18			45.5	10.5	45.5	45.5	847	842.5	8	117	936	0	510	65.1
281.30.0900.013	1096.2	805	90	1016	845	30	30	M20	22			71	19	71	71	953.5	956.5	9	120	1080	0	1750	165
281.30.0900.013	1096.2	805	90	1016	845	30	30	M20	φ22		893	71	19	71	71	953.5	956.5	9	120	1080	0	2150	144

Internal Flange



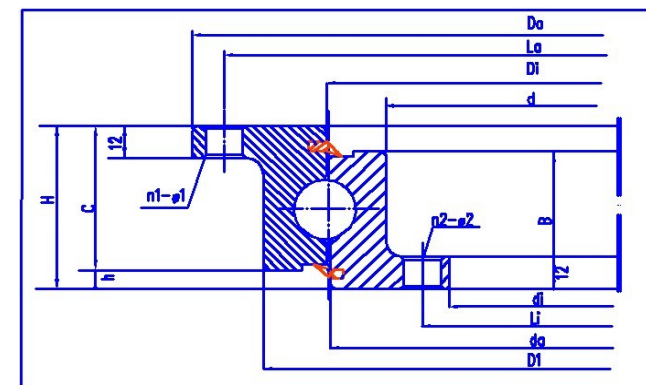
Rothe Erde model	Overall Dimension			Mounting Dimension						Structure Dimension								Gear				Axial Load	Mass
	Da	d	H	La	Li	n1	n2	φ1	φ2	D1	d	b	h	B	C	Di	da	m	z	do	x		
	mm			mm				mm														mm	
281.30.0975.013	1096.2	807	90	1016	845	30	30	M20	22			71	19	71	71	955	956.5	9	120	1080	0	1750	165
231.20.0900.013	1046.4	834	56	985	862	20	20	M12	18			45.5	10.5	45.5	45.5	845.5	942.5	8	129	1032	0	570	69.6
231.20.0900.503	1046.4	834	56	985	862	20	40	M12	18			45.5	10.5	45.5	45.5	845.5	942.5	8	129	1032	0	570	69.1
231.21.0975.013	1046.4	835	56	985	862	20	20	M12	18			45.5	10.5	45.5	45.5	947	942.5	8	129	1032	0	570	69.6
281.30.1000.013	1198	905	90	1116	945	30	30	M20	22			71	19	71	71	1053.5	1056.5	10	118	1180	0	1840	183
281.30.1075.013	1198	907	90	1116	945	30	30	M20	22			71	19	71	71	1055	1056.5	10	118	1180	0	1840	183
231.20.1000.013	1198.4	984	56	1135	1012	22	20	M12	18			45.5	10.5	45.5	45.5	1095.5	1092.5	8	148	1184	0	665	83
231.20.1000.503	1198.4	984	56	1135	1012	22	40	M12	18			45.5	10.5	45.5	45.5	1095.5	1092.5	8	148	1184	0	665	82.5
231.21.1075.013	1198.4	985	56	1135	1012	22	20	M12	18			45.5	10.5	45.5	45.5	1097	1092.5	8	148	1184	0	665	83
281.30.1100.013	1298	1005	90	1216	1045	36	36	M20	22			71	19	71	71	1153.5	1156.5	10	128	1280	0	1900	200
281.30.1175.013	1298	1007	90	1216	1045	36	36	M20	22			71	19	71	71	1155	1156.5	10	128	1280	0	1900	200
281.30.1200.013	1398	1105	90	1316	1145	42	42	M20	22			71	19	71	71	1253.5	1256.5	10	138	1380	0	1950	216
281.30.1275.013	1398	1107	90	1316	1145	42	42	M20	22			71	19	71	71	1255	1256.5	10	138	1380	0	1950	216
281.30.1300.013	1498	1205	90	1416	1245	42	42	M20	22			71	19	71	71	1353.5	1356.5	10	148	1480	0	2000	234
281.30.1375.013	1498	1207	90	1416	1245	42	42	M20	22			71	19	71	71	1355	1356.5	10	148	1480	0	2000	234
281.30.1400.013	1598	1305	90	1516	1345	48	48	M20	22			71	19	71	71	1453.5	1456.5	10	158	1580	0	2050	250
281.30.1400.013	1598	1305	90	1516	1345	48	48	M20	φ22		1393	71	19	71	71	1453.5	1456.5	10	158	1580	0	3261	252
281.30.1475.013	1598	1307	90	1516	1345	48	48	M20	22			71	19	71	71	1455	1456.5	10	158	1580	0	2050	250

Internal Flange



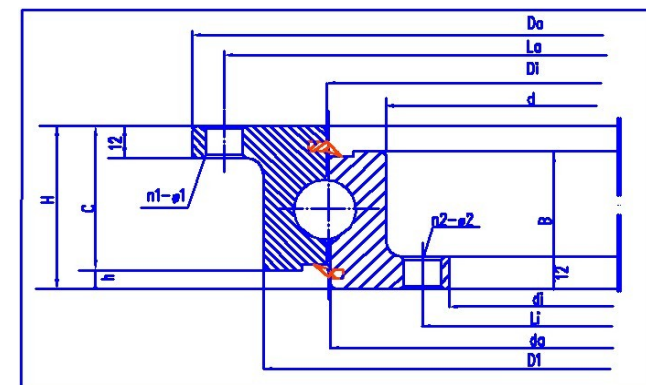
TG model	Overall Dimension			Mounting Dimension						Structure Dimension								Gear				Axial Load	Mass
	Da	d	H	La	Li	n1	n2	φ1	φ2	D1	d	b	h	B	C	Di	da	m	z	do	x		
	mm			mm				mm														mm	
E.505.20.00.C	504	304	56	455	332	10	12	M12	φ18		375	46	10	46	46	415.5	412.5	5	99	495		500	33.3
E.505.20.C	504	304	56	455	332	10	12	M12	φ18		373	46	10	46	46	415.5	412.5	5	99	495		640	34
E.650.20.C	640.8	434	56	585	462	14	14	M12	φ18		505	46	10	46	46	545.5	542.5	6	105	630		670	40.6
E.750.20.00.C	742.8	534	56	685	562	16	16	M12	φ18		605	46	10	46	46	645.5	642.5	6	122	732		780	55.1
E.850.20.00.C	838.8	634	56	785	662	18	16	M12	φ18		705	46	10	46	46	745.5	742.5	6	138	828		910	60
E.950.20.00.C	950.4	734	56	885	762	18	18	M12	φ18		805	46	10	46	46	845.5	842.5	8	117	936		1030	72.3
E.1100.32.00.C	1098	805	90	1016	845	30	30	M20	φ22		893	71	19	71	71	955	955	9	120	1080		2230	165
E.1050.20.00.C	1046.4	834	56	985	862	20	20	M12	φ18		905	46	10	46	46	945.5	942.5	8	129	1032		1440	82.3
E.1200.32.00.C	1200	905	90	1116	945	30	30	M20	φ22		993	71	19	71	71	1055	1055	10	118	1180		2500	183
E.1200.20.00.C	1198.4	984	56	1135	1012	22	20	M12	φ18		1055	46	10	46	46	1095.5	1092.5	8	148	1184		1700	99
E.1300.32.00.C	1300	1005	90	1216	1045	36	36	M20	φ22		1093	71	19	71	71	1155	1155	10	128	1280		2700	200
E.1400.32.00.C	1400	1105	90	1316	1145	42	42	M20	φ22		1193	71	19	71	71	1255	1255	10	138	1380		3000	216
E.1500.32.00.C	1500	1205	90	1416	1245	42	42	M20	φ22		1293	71	19	71	71	1355	1355	10	148	1480		3220	234
E.1600.32.00.C	1600	1305	90	1516	1345	48	48	M20	φ22		1393	71	19	71	71	1455	1455	10	158	1580		3350	250

Internal & External Flange



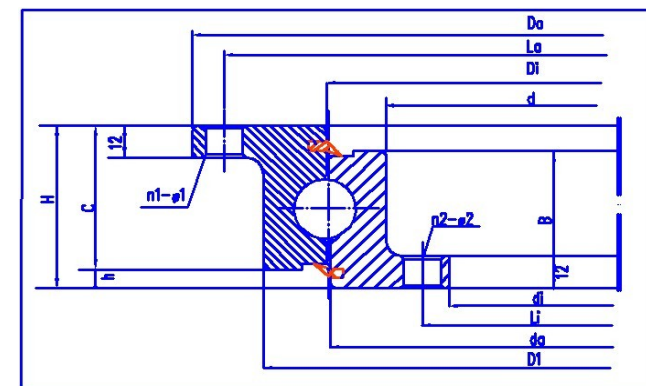
INA model	Overall Dimension			Mounting Dimension						Structure Dimension							Axial Load	Mass kgs
	Da	di	H	La	Li	n1	n2	φ1	φ2	D1	d	h	B	C	Di	da		
	mm			mm				mm		mm								
VLU200414ZT	518	304	56	490	332	8	12	φ18	φ18	458.5	369.5	8.5	47.5	47.5	415.5	412.5	600	26.5
VLU200414	518	304	56	490	332	8	12	18	18	458.5	369.5	8.5	47.5	47.5	415.5	412.5	295	23.5
VLU200544ZT	648	434	56	620	462	10	14	φ18	φ18	588.5	499.5	8.5	47.5	47.5	545.5	542.5	800	35.4
VLU200544	648	434	56	620	462	10	14	18	18	588.5	499.5	8.5	47.5	47.5	545.5	542.5	385	31
VLU200644ZT	748	534	56	720	562	12	16	φ18	φ18	685	602	8.5	47.5	47.5	645.5	642.5	780	38
VLU200644ZT	748	534	56	720	562	12	16	φ18	φ18	685	602	8.5	47.5	47.5	645.5	642.5	780	38
VLU200644	748	534	56	720	562	12	16	18	18			8.5	47.5	47.5	645.5	642.5	455	36.5
VLU200744ZT	848	634	56	820	662	12	16	φ18	φ18	788.5	699.5	8.5	47.5	47.5	745.5	742.5	1050	45
VLU200744	848	634	56	820	662	12	16	18	18			8.5	47.5	47.5	745.5	742.5	530	42.5
VLU200844ZT	948	734	56	920	762	14	18	φ18	φ18	888.5	799.5	8.5	47.5	47.5	845.5	842.5	1200	53.8
VLU200844	948	734	56	920	762	14	18	18	18			8.5	47.5	47.5	845.5	842.5	600	48
VLU 300955	1100	805	90	1060	845	30	30	22	22			19	71	71	953	957	2550	135
VLU200944ZT	1048	834	56	1020	862	16	20	φ18	φ18	988.5	899.5	8.5	47.5	47.5	945.5	942.5	1350	61
VLU200944	1048	834	56	1020	862	16	20	18	18			8.5	47.5	47.5	945.5	942.5	670	54
VLU301055	1200	905	90	1160	945	30	30	22	22			19	71	71	1053	1057	2800	149
VLU 201094	1198	984	56	1170	1012	16	20	18	18			8.5	47.5	47.5	1096	1093	770	62.5
VLU 301155	1300	1005	90	1260	1045	36	36	22	22			19	71	71	1153	1157	3100	164
VLU 301255	1400	1105	90	1360	1145	42	42	22	22			19	71	71	1253	1257	3350	177
VLU 301355	1500	1205	90	1460	1245	42	42	22	22			19	71	71	1353	1357	3600	191
VLU 301455	1600	1305	90	1560	1345	48	48	22	22			19	71	71	1453	1457	4000	206

Internal & External Flange



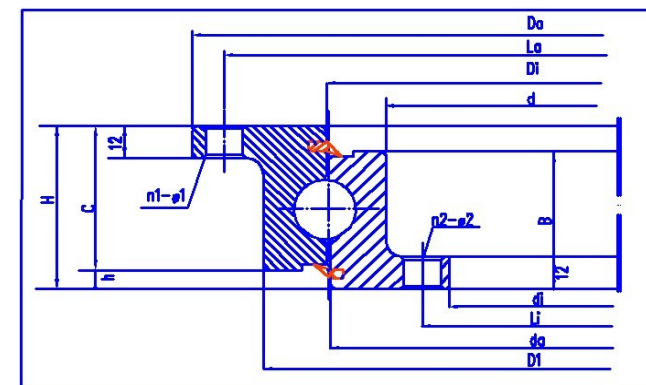
Rothe Erde model	Overall Dimension			Mounting Dimension						Structure Dimension							Axial Load	Mass kgs
	Da	di	H	La	Li	n1	n2	φ1	φ2	D1	d	h	B	C	Di	da		
	mm			mm				mm					mm					
230.20.0400.013	518	304	56	490	332	8	12	18	18			10.5	45.5	45.5	415.5	412.5	250	23.4
230.20.0400.503	518	304	56	490	332	16	24	18	18			10.5	45.5	45.5	415.5	412.5	250	23
230.21.0475.013	517	305	56	490	332	8	12	18	18			10.5	45.5	45.5	415.5	412.5	250	23.4
230.20.0500.013	648	434	56	620	462	10	14	18	18			10.5	45.5	45.5	545.5	542.5	330	31
230.20.0500.503	648	434	56	620	462	20	28	18	18			10.5	45.5	45.5	545.5	542.5	330	30.4
230.20.0500.013	648	434	56	620	462	20	28	φ18	φ18	583	505	10.5	45.5	45.5	545.5	542.5	660	30.4
230.21.0575.013	647	435	56	620	462	10	14	18	18			10.5	45.5	45.5	545.5	542.5	330	31
230.20.0600.013	748	534	56	720	562	12	16	18	18			10.5	45.5	45.5	645.5	642.5	390	36.4
230.20.0600.503	748	534	56	720	562	24	32	18	18			10.5	45.5	45.5	645.5	642.5	390	35.8
230.21.0675.013	747	535	56	720	562	12	16	18	18			10.5	45.5	45.5	645.5	642.5	390	36.4
230.20.0700.013	848	634	56	820	662	12	16	18	18			10.5	45.5	45.5	745.5	742.5	450	42.8
230.20.0700.503	848	634	56	820	662	24	32	18	18			10.5	45.5	45.5	745.5	742.5	450	42.2
230.21.0775.013	847	635	56	820	662	12	16	18	18			10.5	45.5	45.5	745.5	742.5	450	42.8
230.20.0800.013	948	734	56	920	762	14	18	18	18			10.5	45.5	45.5	845.5	842.5	510	47.8
230.20.0800.503	948	734	56	920	762	28	36	18	18			10.5	45.5	45.5	845.5	842.5	510	47.1
230.21.0875.013	947	735	56	920	762	14	18	18	18			10.5	45.5	45.5	845.5	842.5	510	47.8
280.30.0900.013	1100	805	90	1060	845	30	30	22	22			19	71	71	953.5	956.5	1750	131
280.30.0975.013	1098	807	90	1060	845	30	30	22	22			19	71	71	953.5	956.5	1750	131
230.20.0900.013	1048	834	56	1020	862	16	20	18	18			10.5	45.5	45.5	945.5	942.5	570	53.1

Internal & External Flange

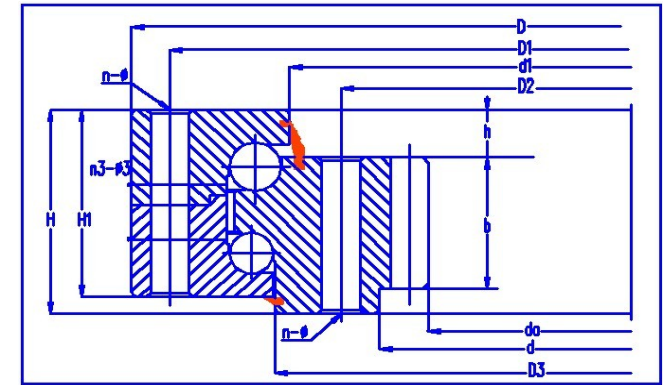
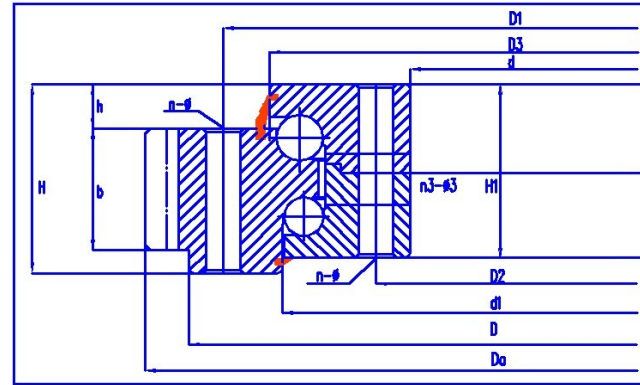
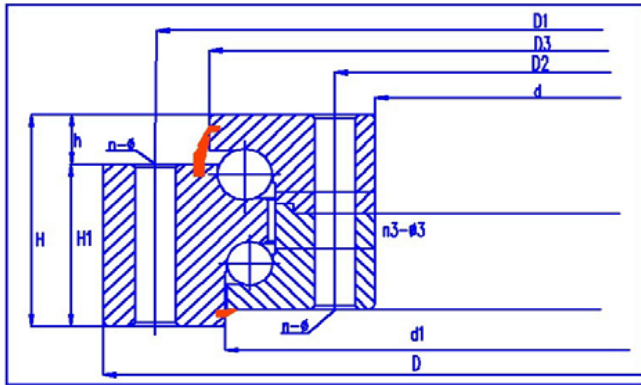


Rothe Erde model	Overall Dimension			Mounting Dimension						Structure Dimension						Axial Load	Mass kgs	
	Da	di	H	La	Li	n1	n2	φ1	φ2	D1	d	h	B	C	Di			da
	mm			mm				mm		mm								
230.20.0900.503	1048	834	56	1020	862	32	40	18	18			10.5	45.5	45.5	945.5	942.5	570	52.3
230.21.0975.013	1047	835	56	1020	862	16	20	18	18			10.5	45.5	45.5	945.5	942.5	570	53.1
280.30.1000.013	1200	905	90	1160	945	30	30	22	22			19	71	71	1054	1057	1840	145
280.30.1075.013	1198	907	90	1160	945	30	30	22	22			19	71	71	1054	1057	1840	145
230.20.1000.013	1198	984	56	1170	1012	16	20	18	18			10.5	45.5	45.5	1096	1093	665	61.9
230.20.1000.503	1198	984	56	1170	1012	32	40	18	18			10.5	45.5	45.5	1096	1093	665	61.1
230.21.1075.013	1197	985	56	1170	1012	16	20	18	18			10.5	45.5	45.5	1096	1093	665	61.9
280.30.1100.013	1300	1005	90	1260	1045	36	36	22	22			19	71	71	1154	1157	1900	159
280.30.1175.013	1298	1007	90	1260	1045	36	36	22	22			19	71	71	1154	1157	1900	159
280.30.1200.013	1400	1105	90	1360	1145	42	42	22	22			19	71	71	1254	1257	1950	172
280.30.1275.013	1398	1107	90	1360	1145	42	42	22	22			19	71	71	1254	1257	1950	172
280.30.1300.013	1500	1205	90	1460	1245	42	42	22	22			19	71	71	1354	1357	2000	186
280.30.1375.013	1498	1207	90	1460	1245	42	42	22	22			19	71	71	1354	1357	2000	186
280.30.1400.013	1600	1305	90	1560	1345	48	48	22	22			19	71	71	1454	1457	2050	200
280.30.1400.013	1600	1305	90	1560	1345	48	48	φ22	φ22	1517	1393	19	71	71	1457	1454	4100	200
280.30.1475.013	1598	1307	90	1560	1345	48	48	22	22			19	71	71	1454	1457	2050	200

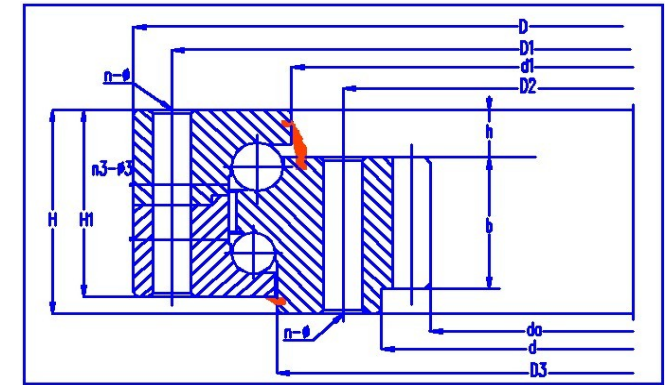
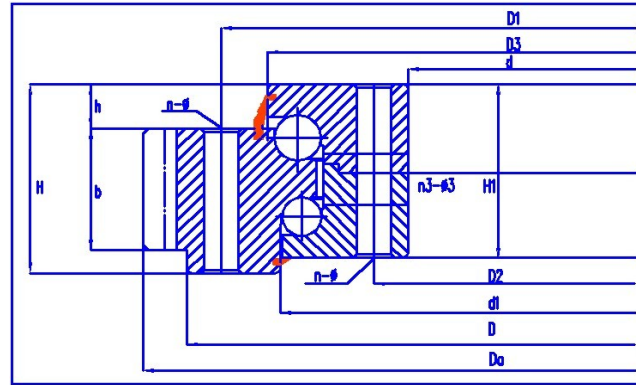
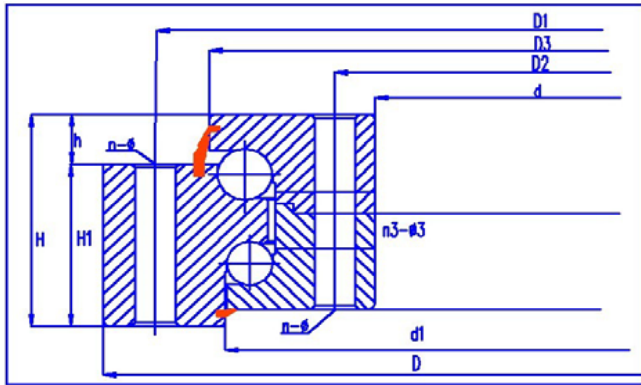
Internal & External Flange



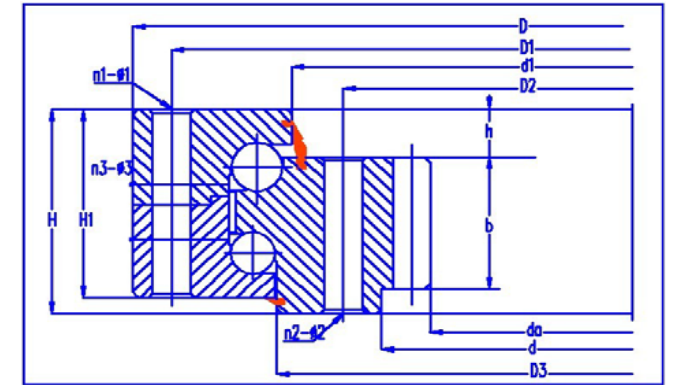
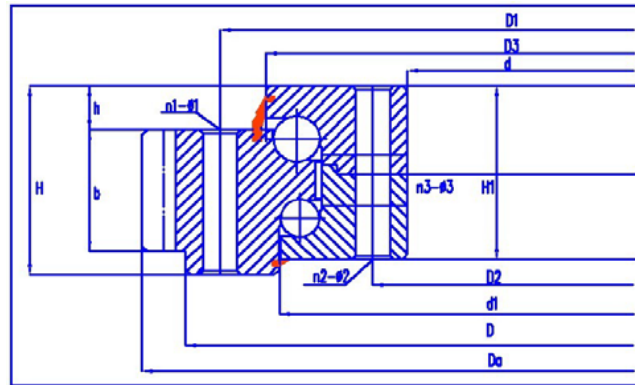
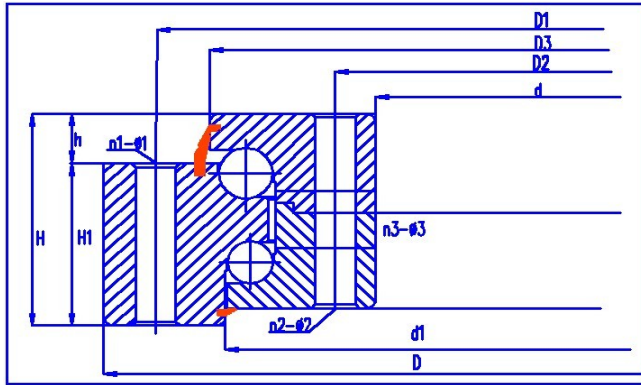
TG model	Overall Dimension			Mounting Dimension						Structure Dimension							Axial Load	Mass kgs
	Da	di	H	La	Li	n1	n2	φ1	φ2	D1	d	h	B	C	Di	da		
	mm			mm				mm			mm							
SD.505.20.00.C	518	304	56	490	332	8	12	18	φ18	453	375	10	46	46	415.5	412.5	500	24.3
SD.650.20.00.C	648	434	56	620	462	10	14	18	φ18	583	505	10	46	46	545.5	542.5	660	32
SD.650.20.00.C	648	434	56	620	462	10	14	φ18	φ18	583	505	10	46	46	545.5	542.5	400	31
SD.750.20.00.C	748	534	56	720	562	12	16	18	φ18	683	605	10	46	46	645.5	642.5	780	38
SD.750.20.00.C	748	534	56	720	562	12	16	φ18	φ18	683	605	10	46	46	645.5	642.5	460	36.5
SD.750.20.00.C	746	536	56	720	562	12	16	φ18	φ18	683	605	10	46	46	645.5	642.5	780	38
SD.950.20.00.C	948	734	56	920	762	14	18	18	φ18	883	805	10	46	46	845.5	842.5	1030	50
SD.950.20.00.C	946	736	56	920	762	14	18	φ18	φ18	883	805	10	46	46	845.5	842.5	1030	50
SD.1100.32.00.C	1100	805	90	1060	845	30	30	φ22	φ22	1017	893	19	71	71	955	955	2250	131
SD.1050.20.00.C	1048	834	56	1020	862	16	20	18	φ18	983	905	10	46	46	945.5	942.5	1440	55.6
SD.1200.32.00.C	1200	905	90	1160	945	30	30	φ22	φ22	1117	993	19	71	71	1055	1055	2500	145
SD.1200.20.00.C	1198	984	56	1170	1012	16	20	18	φ18	1133	1055	10	46	46	1096	1093	1700	62.8
SD.1200.20.00.C	1198	984	56	1170	1012	16	20	φ18	φ18	1133	1055	10	46	46	1096	1093	780	62
SD.1300.32.00.C	1300	1005	90	1260	1045	36	36	φ22	φ22	1217	1093	19	71	71	1155	1155	2700	159
SD.1400.32.00.C	1400	1105	90	1360	1145	42	42	φ22	φ22	1317	1193	19	71	71	1255	1255	3000	172
SD.1500.32.00.C	1500	1205	90	1460	1245	42	42	φ22	φ22	1417	1293	19	71	71	1355	1355	3260	186
SD.1600.32.00.C	1600	1305	90	1560	1345	48	48	φ22	φ22	1517	1393	19	71	71	1455	1455	3440	200



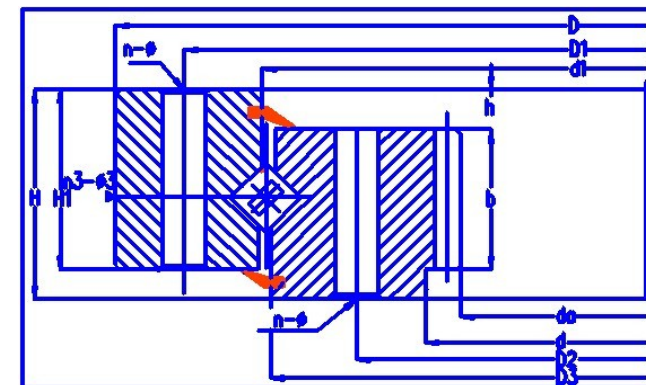
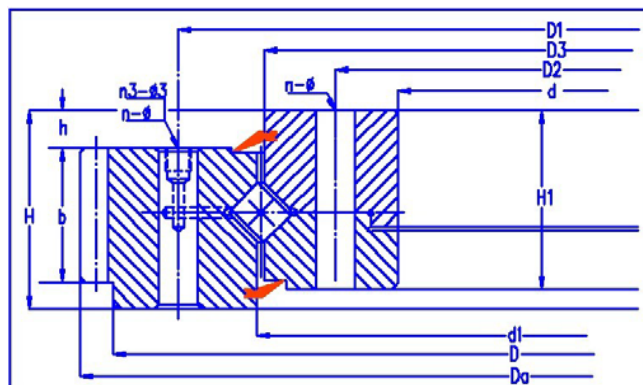
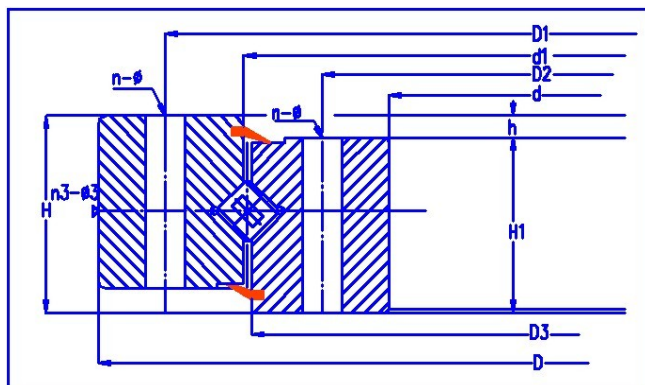
None Gear	Model		Over all			Mounting Dimension				Structure Dimension(mm)					Gear		External		Internal		Load 10 ⁴ N	Mass kg	
	External Gear	Internal Gear	D	d	H	D1	D2	n	φ	D3	d1	H1	h	n3	m	b mm	x	Da mm	Z	da mm			Z
020.25.500	021.25.500	023.25.500	616	384	106	580	420	20	18	523	517	96	26	4	5	60	0.5	645	126	355	72	121	100
	022.25.500	024.25.500	616	384	106	580	420	20	18	[483]	[477]	96	26	4	6	60	0.5	648	105	348	59	121	100
020.25.560	021.25.560	023.25.560	676	444	106	640	480	20	18	583	577	96	26	4	5	60	0.5	705	138	415	84	134	115
	022.25.560	024.25.560	676	444	106	640	480	20	18	[543]	[537]	96	26	4	6	60	0.5	708	115	408	69	134	115
020.25.630	021.25.630	023.25.630	746	514	106	710	550	24	18	653	647	96	26	4	6	60	0.5	792	129	480	81	153	130
	022.25.630	024.25.630	746	514	106	710	550	24	18	[613]	[607]	96	26	4	8	60	0.5	792	96	472	60	153	130
020.25.710	021.25.710	023.25.710	826	594	106	790	630	24	18	733	727	96	26	4	6	60	0.5	864	141	558	94	173	140
	022.25.710	024.25.710	826	594	106	790	630	24	18	[693]	[687]	96	26	4	8	60	0.5	864	105	552	70	173	140
020.30.800	021.30.800	023.30.800	942	658	124	898	702	30	22	828	822	114	29	6	8	80	0.5	984	120	616	78	230	200
	022.30.800	024.30.800	942	658	124	898	702	30	22	[778]	[771]	114	29	6	10	80	0.5	990	96	610	62	230	200
020.30.900	021.30.900	023.30.900	1042	758	124	998	802	30	22	928	922	114	29	6	8	80	0.5	1088	133	712	90	258	250
	022.30.900	024.30.900	1042	758	124	998	802	30	22	[878]	[871]	114	29	6	10	80	0.5	1090	106	710	72	258	250
020.30.1000	021.30.1000	023.30.1000	1142	858	124	1098	902	36	22	1028	1022	114	29	6	10	80	0.5	1200	117	810	82	286	300
	022.30.1000	024.30.1000	1142	858	124	1098	902	36	22	[978]	[971]	114	29	6	12	80	0.5	1200	97	792	67	286	300
020.30.1120	021.30.1120	023.30.1120	1262	978	124	1218	1022	36	22	1148	1142	114	29	6	10	80	0.5	1320	129	920	93	321	340
	022.30.1120	024.30.1120	1262	978	124	1218	1022	36	22	[1098]	[1091]	114	29	6	12	80	0.5	1320	107	912	77	321	340
020.40.1250	021.40.1250	023.40.1250	1426	1074	160	1374	1126	40	26	1286	1282	150	39	6	12	90	0.5	1500	122	1008	85	482	580
	022.40.1250	024.40.1250	1426	1074	160	1374	1126	40	26	[1218]	[1214]	150	39	6	14	90	0.5	1498	104	1008	73	482	580
020.40.1400	021.40.1400	023.40.1400	1576	1224	160	1524	1272	40	26	1436	1432	150	39	6	12	90	0.5	1644	134	1152	97	543	650
	021.40.1400	024.40.1400	1576	1224	160	1524	1272	40	26	[1368]	[1364]	150	39	6	14	90	0.5	1652	115	1148	83	543	650



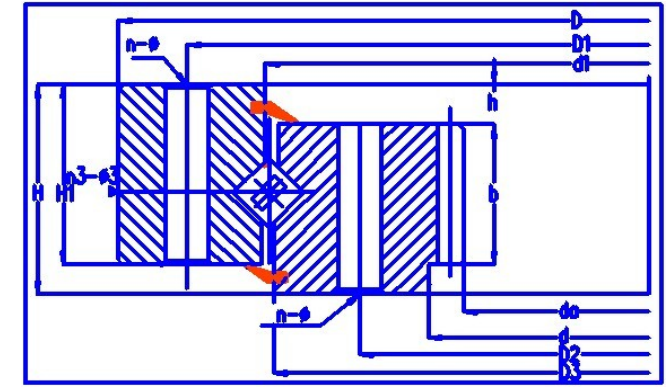
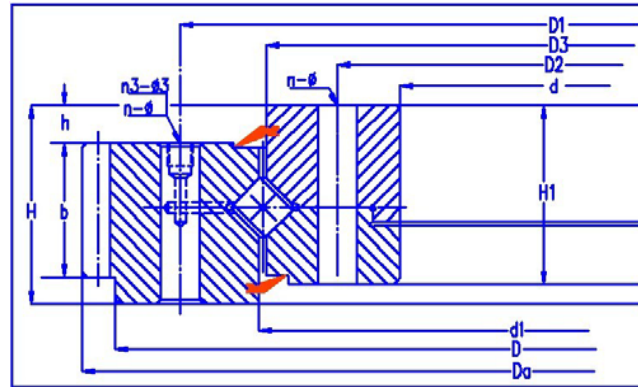
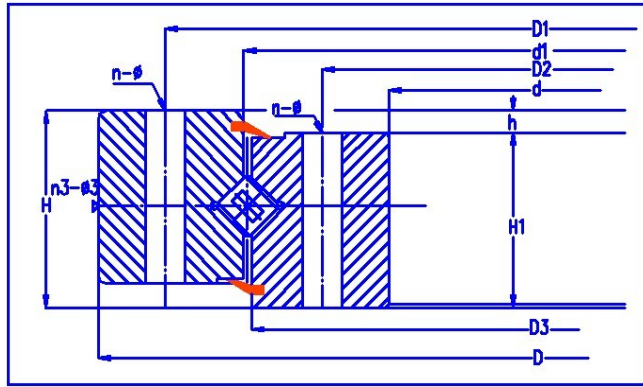
Model			Over all			Mounting Dimension				Structure Dimension(mm)					Gear			External		Internal		Load	Mass
None Gear	External Gear	Internal Gear	D	d	H	D1	D2	n	φ	D3	d1	H1	h	n3	m	b mm	x	Da mm	Z	da mm	Z	10 ⁴ N	kg
			mm			mm				mm													
020.40.1600	021.40.1600	023.40.1600	1776	1424	160	1724	1476	45	26	1636	1632	150	39	8	14	90	0.5	1848	129	1344	97	620	750
	022.40.1600	024.40.1600	1776	1424	160	1724	1476	45	26	[1568]	[1564]	150	39	8	16	90	0.5	1856	113	1344	85	620	750
020.40.1800	021.40.1800	023.40.1800	1976	1624	160	1924	1676	45	26	1836	1832	150	39	8	14	90	0.5	2058	144	1540	111	692	820
	022.40.1800	024.40.1800	1976	1624	160	1924	1676	45	26	[1768]	[1764]	150	39	8	16	90	0.5	2064	126	1536	97	692	820
020.50.2000	021.50.2000	023.50.2000	2215	1785	190	2149	1851	48	33	2038	2032	178	47	8	16	120	0.5	2304	141	1696	107	987	1150
	021.50.2000	024.50.2000	2215	1785	190	2149	1851	48	33	[1968]	[1962]	178	47	8	18	120	0.5	2304	125	1692	95	987	1150
020.50.2240	021.50.2240	023.50.2240	2455	2025	190	2389	2091	48	33	2278	2272	178	47	8	16	120	0.5	2544	156	1936	122	1110	1500
	022.50.2240	024.50.2240	2455	2025	190	2389	2091	48	33	[[2208]	[2202]	178	47	8	18	120	0.5	2556	139	1926	108	1110	1500
020.50.2500	021.50.2500	023.50.2500	2715	2285	190	2649	2351	56	33	2538	2532	78	47	8	18	120	0.5	2804	153	2196	123	1110	1500
	022.50.2500	024.50.2500	2715	2285	190	2649	2351	56	33	[2468]	[2462]	78	47	8	20	120	0.5	2820	138	2180	110	1110	1500
	021.50.2500.12	/	2715	2285	190	2649	2351	56	33	2550	2538	178	47	8	18	120	0.5	2804	153	/	/	1117	2031
020.50.2800	021.50.2800	023.50.2800	3015	2585	190	2949	2651	56	33	2838	2832	178	47	8	18	120	0.5	3114	170	2484	139	1390	1900
	022.50.2800	024.50.2800	3015	2585	190	2949	2651	56	33	[2768]	[2762]	178	47	8	20	120	0.5	3120	153	2480	125	1390	1900
020.60.3150	021.60.3150	023.60.3150	3428	2872	226	3338	2962	56	45	3198	3192	214	56	8	20	150	0.5	3540	174	2760	139	1870	3300
	022.60.3150	024.60.3150	3428	2872	226	3338	2962	56	45	[3108]	[3102]	214	56	8	22	150	0.5	3542	158	2750	126	1870	3300
020.60.3550	021.60.3550	023.60.3550	3828	3272	226	3738	3362	56	45	3598	3592	214	56	8	20	150	0.5	3940	194	3160	159	2110	3700
	022.60.3550	024.60.3550	3828	3272	226	3738	3362	56	45	[3508]	[3502]	214	56	8	22	150	0.5	3938	176	3168	145	2110	3700
020.60.4000	021.60.4000	023.60.4000	4278	3722	226	4188	3812	60	45	4048	4042	214	56	10	22	150	0.5	4400	197	3608	165	2370	4200
	022.60.4000	024.60.4000	4278	3722	226	4188	3812	60	45	[3958]	[3952]	214	56	10	25	150	0.5	4400	173	3600	145	2370	4200
020.60.4500	021.60.4500	023.60.4500	4778	4222	226	4688	4312	60	45	4548	4542	214	56	10	22	150	0.5	4884	219	4114	188	2670	4700
	022.60.4500	024.60.4500	4778	4222	226	4688	4312	60	45	[4458]	[4452]	214	56	10	25	150	0.5	4900	193	4100	165	2670	4700



Model	Dimension			Mounting Dimension						Structure Dimension						Gear Parameter					Load	Mass
	D	d	H	D1	D2	N1	N2	φ1	φ2	D3	d1	H1	h	n3	φ3	m	b	x	Da	Z	10 ⁴ N	kg
	mm			mm				mm	mm	mm					mm				mm			
None Gear																						
5787/1916G2	2320	1916	150	2245	1980	42	42	34	34	2146	2150	135	20	12	M12	/	/	/	/	/	1096	1251
External Gear																						
6787/820G	1150	820	125	1100	880	14.4	8	25/22	32	1020	1040	130	5	2×2	M10*1	12	75	-0.25	1206	99	297	508
6787/1600G	2000	1600	175	1920	1675	10	20	38	38	1840	1865	190	15	4×2	M10*1	14	120	-0.2	2066.4	146	705	1531
6788/1600G	2000	1600	175	1920	1675	24	24	32	32	1840	1865	190	15	4×2	M10*1	6	140	-0.45	2154.6	358	705	1576
6789/3405G	3638	3405	185	3700	3465	48	48	35	35	3638	3630	185	45	12	M12.1.25	18	120	0	3852	212	1860	2632
Internal Gear																						
7787/1310G	1600	1310	135	1550	1365	32	32	26	26	1414	1436	140	5	4	M10*1	16	100	0.25	1214.4	77	433	691
7787/2728K	3100	2728	210	3040	2780	36	36	25	26	2874	2880	200	42	4	M14*1.5	10	105	0.6	2652	266	814	2537

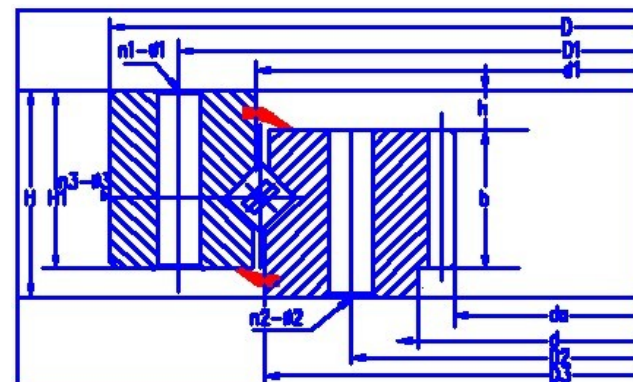


Model			Dimension			Mounting Dimension				Structure Dimension					Gear Parameter			External		Internal		Load	Mass
None gear	External Gear	Internal Gear	D	d	H	D1	D2	N	φ	D3	d1	H1	h	n3	m	b mm	X	External		Internal		10 ⁴ N	kgs
			mm			(mm)				mm								Da	Z	da	Z		
110.25.500	111.25.500	113.25.500	602	398	75	566	434	20	18	499	501	65	10	4	5	60	0.5	630	123	365	74	104	80
	111.25.500	114.25.500													6	60	0.5	630	120	360	62	104	80
110.25.560	111.25.500	113.25.560	662	458	75	626	494	20	18	558.5	561.5	65	10	4	5	60	0.5	690	135	425	86	116	90
	112.25.560	114.25.560													6	60	0.5	690	112	426	112	116	90
110.25.630	111.25.630	113.25.630	732	528	75	696	564	24	18	628.5	631.5	65	10	4	6	60	0.5	774	126	492	83	130	100
	111.25.630	114.25.630													8	60	0.5	776	94	488	62	130	100
110.25.710	111.25.710	113.25.710	812	608	75	776	644	24	18	708.5	711.5	65	10	4	6	60	0.5	852	139	570	96	149	110
	112.25.710	114.25.710													8	60	0.5	856	104	568	72	149	110
110.28.800	111.28.800	113.28.800	922	678	82	878	722	30	22	798.5	801.5	72	10	6	8	65	0.5	968	118	632	80	185	170
	112.28.800	114.28.800													10	65	0.5	970	94	630	64	185	170
110.28.900	111.28.900	113.28.900	1022	778	82	978	822	30	22	898.5	901.5	72	10	6	8	65	0.5	1064	130	736	93	209	190
	112.28.900	114.28.900													10	65	0.5	1070	104	730	74	209	190
110.28.1000	111.28.1000	113.28.1000	1122	878	82	1078	922	36	22	998.5	1001.5	72	10	6	10	65	0.5	1190	116	820	83	233	210
	112.28.1000	114.28.1000													12	65	0.5	1188	96	816	69	233	210
110.28.1120	111.28.1120	113.28.1120	1242	998	82	1198	1042	36	22	1118	1122	72	10	6	10	65	0.5	1300	127	940	95	262	230
	112.28.1120	114.28.1120													12	65	0.5	1308	106	936	79	262	230
110.32.1250	111.32.1250	113.32.1250	1390	1110	91	1337	1163	40	26	1248	1252	81	10	6	12	75	0.5	1452	118	1044	88	321	350
	112.32.1250	114.32.1250													14	75	0.5	1456	101	1036	75	321	350
110.32.1400	111.32.1400	113.32.1400	1540	1260	91	1487	1313	40	26	1398	1402	81	10	6	12	75	0.5	1608	131	1188	100	358	400
	112.32.1400	114.32.1400													14	75	0.5	1610	112	1190	86	358	400
110.32.1600	111.32.1600	113.32.1600	1740	1460	91	1687	1513	45	26	1598	1602	81	10	8	14	75	0.5	1820	127	1386	100	412	440
	112.32.1600	114.32.1600													16	75	0.5	1824	111	1376	87	412	440



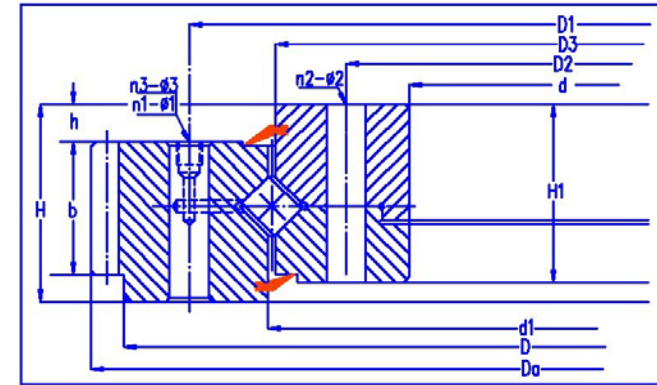
Model			Dimension			Mounting Dimension				Structure Dimension					Gear Parameter			External		Internal		Load	Mass	
None gear	External Gear	Internal Gear	D	d	H	D1	D2	N	φ	D3	d1	H1	h	n3	m	b	X	External		Internal		10 ⁴ N	kgs	
			mm			(mm)				mm								mm	Z	mm	Z			
110.32.1800	111.32.1800	113.32.1800	1940	1660	91	1887	1713	45	26	1798	1802	81	10	8	14	75	0.5	2016	141	1568	113	460	500	
	112.32.1800	114.32.1800													14	75	0.5	2016	123	1568	99	460	500	
		113.45.1830.11		2002	1665	156	1940	1720	54	30	1827	1833	128	28	6	12	100	0.5			1610	135	571	912
110.40.2000	111.40.2000	113.40.2000	2178	1825	112	2110	1891	48	33	1998	2002	100	12	8	16	90	0.5	2272	139	1728	109	686	900	
	112.40.2000	114.40.2000													18	90	0.5	2268	123	1728	97	686	900	
110.40.2000.12										1991	1995	100	12	8									635	767
110.40.2240	111.40.2240	113.40.2240	2418	2065	112	2350	2131	48	33	2237.5	2242.5	100	12	8	16	90	0.5	2496	153	1984	125	764	1000	
	112.40.2240	114.40.2240													18	90	0.5	2502	136	1980	111	764	1000	
110.40.2500	111.40.2500	113.40.2500	2678	2325	112	2610	2391	56	33	2497.5	2502.5	100	12	8	18	90	0.5	2772	151	2232	125	797	876	
	112.40.2500	114.40.2500													20	90	0.5	2780	136	2220	112	797	876	
		112.40.2500.12K									2498.5	2501.5	100	##	8									
110.40.2800	111.40.2800	113.40.2800	2978	2625	112	2910	2691	56	33	2497.5	2802.5	100	12	8	18	90	0.5	3078	168	2520	141	960	1250	
	112.40.2800	114.40.2800													20	90	0.5	3080	151	2520	127	960	1250	
110.50.3150	111.50.3150	113.50.3150	3376	2922	134	3286	3014	56	45	3147.5	3152.5	122	12	8	20	110	0.5	3480	171	2820	142	1380	2150	
	112.50.3150	114.50.3150													22	110	0.5	3476	155	2816	129	1380	2150	
110.50.3550	111.50.3350	113.50.3350	3776	3322	134	3686	3414	56	45	3547.5	3552.5	122	12	8	20	110	0.5	3880	191	3220	162	1570	2470	
	112.50.3350	114.50.3350													22	110	0.5	3894	174	3212	147	1570	2470	
		111.52.3550.12									3548	3552.5	122	12	8	20	110	0.5	3880	191				
110.50.4000	111.50.4000	113.50.4000	4226	3772	134	4136	3864	60	45	3997.5	4002.5	122	12	10	22	110	0.5	4334	194	3652	167	1760	2800	
	112.50.4000	114.50.4000													25	110	0.5	4350	171	3650	147	1760	2800	
110.50.4500	111.50.4500	113.50.4500	4726	4272	134	4636	4364	60	45	4497.5	4502.5	122	12	10	22	110	0.5	4940	217	4158	190	1980	3100	
	112.50.4500	114.50.4500													25	110	0.5	4850	191	4150	167	1980	3100	

Internal Gear



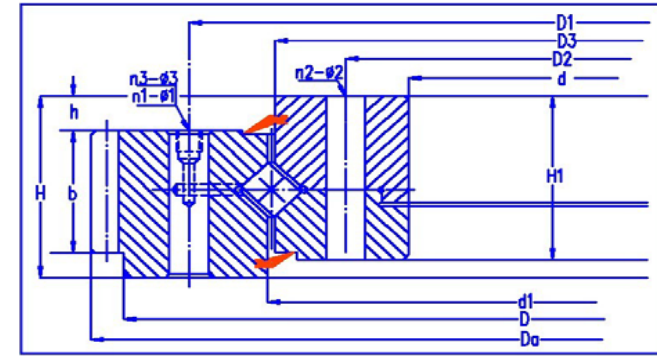
Model	Over all dimensions			Mounting Dimension						Structure dimensions						Gear parameters			Internal Gear		Load 10 ⁴ N	Mass kg
	D	d	H	D ₁	D ₂	n ₁	n ₂	Φ ₁	Φ ₂	D ₃	d ₁	H ₁	h	n ₃	Φ ₃	m	b mm	x	Da mm	Z		
	mm			mm						mm												
2797/695G2	920	695	90	870	735	30	30	18	18	800	804	76	4	3		7	65	0	658	96	161	175
2797/760G2	1000	760	95	956	800	24	24	20	20	878	882	82	15	4	M10*1	8	70	0.35	718.18	91	237	206
2797/870G2	1180	870	115	1125	920	18	18	26	26	1023	1027	100	15	2	M8*1	8	90	0.3	828.8	105	292	374
2797/875G2	1170	875	95	1120	930	24	24	22	22	1018	1022	82	15	4	M10*1	8	70	0.35	830.1	105	276	297
2797/955G	1200	95	90	1160	1000	36	18	18	18	1088	1092	76	10	4	M8*1	8	72	0.3	908.8	115	254	245
2797/955G2	1200	95	90	1160	1000	36	18	18	18	1088	1092	76	10	4	M8*1	8	72	0.3	908.8	115	254	245
2797/1010G2	1200	1010	90	1160	1041	36	20	22	M20	1088	1092	76	10	2	M8*1	10	72	0.6	962	97	254	199
2797/1010GK	1200	1010	90	1160	1041	36	20	22	M20	1088	1092	76	10	2	M8*1	10	72	0.6	962	97	254	199
2797/1278G2	1595	1278	120	1535	1335	36	36	26	26	1428	1432	106	14	6	M10*1	12	90	0.35	1221.14	103	398	585
2792/1400G2K	1715	1400	110	1660	1460	40	40	26	M24	1558	1562	95	15	4	M10*1	10	90	0	1330	135	597	587
2792/2000G2	2420	2000	160	2350	2070	48	48	33	M30	2207	2213	140	20	6	M10*1	14	120	0.3	1913.5	138	1084	1607
2792/2240G	2670	2240	160	2600	2320	54	54	35	M36	2457	2463	140	20	6	M12*1.25	16	120	0.3	2154.5	136	1441	1798
3-940G	2800	2300	208	2710	2390	42	48	38	M36	2535	2545	180	18	6	M10*1	20	175	0	2162.75	110	1743	2756
2797/2680G	3325	2680	300	3242	2754	32	32	33	33	2996	3000	270	30	4	M16*1.5	16	180	0	2592	164	3587	6320
2797/2680GY	3325	2680	300	3242	2754	48	48	33	33	2996	3000	270	30	4	M16*1.5	16	180	0	2592	164	3587	6320
2797/2680GK	3325	2680	300	3242	2754	32	32	33	33	2996	3000	270	30	4	M16*1.5	16	180	0	2592	164	3035	6641
3-943G2	3850	3322	200	3720	3420	60	60	45	45	3568	3572	180	20	12	Z1/4in	20	158	0.35	3206.368	147	1806	4520

External Gear



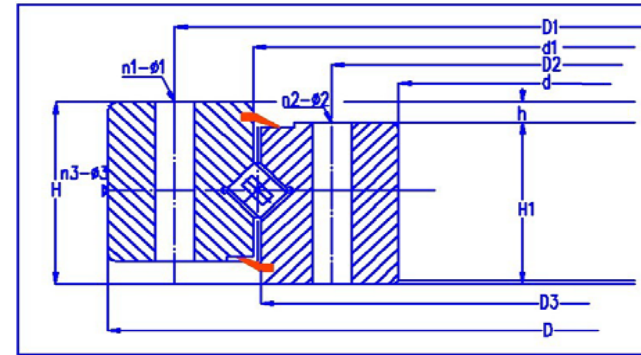
Model	Over all			Mounting Dimension						Structure dimensions						Gear parameters			External Gear		Load 10 ⁴ N	Mass kg
	D	d	H	D ₁	D ₂	n ₁	n ₂	Φ ₁	Φ ₂	D ₃	d ₁	H ₁	h	n ₃	Φ ₃	m	b	x	Da	Z		
	mm			mm						mm						mm	mm		mm			
1792/885	1056	885	83	1032	925	16	16	M16	17.5	986	988	75	12.5	--	--	8	62.5	0	1096	135	176	172
E1792/885	1056	885	83	1032	925	16	16	M16	17.5	986	988	75	12.5	--	--	8	62.5	0	1096	135	176	172
E1792/885K	1056	885	83	1032	925	16	16	M16	17.5	986	988	75	12.5	3	M10*1	8	62.5	0	1096	135	176	172
1797/885G	1150	885	115	1115	935	16	16	18	18	1023	1027	100	15	4	M8*1	5	80	0	1180	234	292	330
1797/1100G	1415	1100	115	1345	1160	24	18	21	21	1253	1255	100	15	4	M12*1.25	6	84	0	1452	240	270	497
1798/1100G2	1400	1100	140	1352	1160	26	26	24	26	1260	1264	126	21	4	M10*1	14	90	-0.24	1477.28	104	430	642
1798/1100G2K	1400	1100	145	1352	1160	26	26	24	26	1260	1264	131	26	4	M10*1	14	90	-0.24	1477.28	104	430	644
1797/1250G2	1548	1250	148	1512	1297	16	16	25	25	1403	1407	122	20	4	M10*1	12	100	0	1608	132	539	661
1797/1278G2	1595	1278	120	1535	1335	36	36	26	26	1428	1432	105	15	4	M10*1	12	90	1.15	1655.46	134	485	597
1797/1300G2	1705	1300	165	1644	1360	24	24	32	32	1504	1508	134	31	4	M10*1	14	85	-0.3	1783.6	126	578	1023
1792/1400G	1715	1400	110	1660	1460	42	42	26	26	1558	1562	95	17	4	M12*1.25	12	78	-0.3	1780.8	147	597	579
1792/1400G2	1715	1400	110	1660	1460	42	42	26	26	1558	1562	95	17	4	M12*1.25	12	78	-0.3	1780.8	147	597	579
1792/1400G2K	1715	1400	110	1660	1460	42	42	26	26	1558	1562	95	15	4	M12*1.25	12	78	-0.3	1780.8	147	597	579
1797/1460G2	1800	1460	125	1735	1525	32	36	26	26	1633	1637	110	10	4	M10*1	14	95	-0.3	1881.6	133	627	828
1797/1460G2K	--	1460	125	1735	1525	32	36	26	26	1633	1637	110	10	4	M10*1	10	115	0	1880	186	627	845
1797/1916G2	--	1916	150	2245	1980	42	42	34	34	2113	2117	130	15	3	M10*1	18	135	-0.4	2415.6	133	1150	1597
1797/2100G2	2600	2100	180	2540	2200	48	48	32	32	2368	2372	158	22	8	M10*1	18	130	0	2700	148	1100	2395
1797/2100G2K	2600	2100	180	2540	2200	48	48	32	32	2368	2372	158	22	8	M10*1	18	130	0	2700	148	1100	2392
1797/2460G2	--	2460	220	2930	2560	30	30	33	34	2745	2747	185	20	30	M12*1.25	14	200	0	3108	220	1368	4091
1797/2460G2U	--	2460	220	2930	2560	30	30	33	34	2745	2747	185	20	30	M12*1.25	14	200	0	3108	220	1368	4091
1797/2460G2K	3108	2460	220	2930	2560	30	30	33	34	2745	2747	200	35	15	ZG1/4in	14	200	0	3108	220	1368	4091
1797/2460G2K1	3108	2460	220	2930	2560	30	30	33	34	2745	2747	200	35	30	ZG1/4in	14	200	0	3108	220	1368	4091
1797/2500G2	--	2500	210	2990	2630	36	36	37	37	2818	2822	200	10	12	M14*1.5	25	200	0	3250	128	1996	4597

External Gear



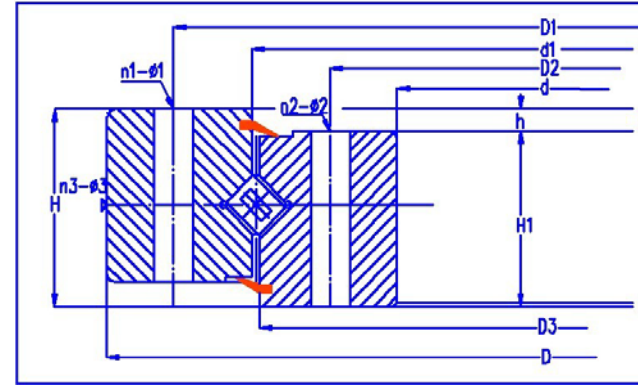
Model	Over all			Mounting Dimension						Structure dimensions						Gear parameters			External		Load 10 ⁴ N	Mass kg
	D	d	H	D ₁	D ₂	n ₁	n ₂	Φ ₁	Φ ₂	D ₃	d ₁	H ₁	h	n ₃	Φ ₃	m	b mm	x	Da	Z		
	mm			mm						mm									mm			
1797/2500K	2920	2500	260	3060	2622	36	36	40	40	2949	2916	240	60	36	ZG1/4in	18	190	0	3258	179	1996	5407
1797/2500G2K1	2920	2500	260	3060	2622	36	36	40	40	2949	2916	240	60	36	ZG1/4in	18	190	0	3258	179	1996	5407
1797/2600G	--	2600	200	3050	2700	60	60	35	35	2868	2872	180	20	6	M12*1.25	20	180	-0.18	3232.8	160	2030	3936
1797/2600G2	--	2600	200	3050	2700	60	60	35	35	2868	2872	180	20	18	ZG1/4in	20	180	-0.18	3232.8	160	2030	3936
1797/2600G2K	--	2600	200	3050	2700	60	60	35	35	2868	2872	180	20	4	14	20	180	-0.18	3232.8	160	2030	3936
1797/2600G2K1	--	2600	200	3050	2700	60	60	35	35	2868	2872	180	20	8	M10*1	20	180	-0.18	3232.8	160	2320	3558
1797/2635G	3332	2635	270	3240	2755	36	36	42	42	2998	3002	240	45	6	M12*1.25	20	200	0	3440	170	2950	5973
1797/2635G2	3332	2635	270	3240	2755	36	36	42	42	2998	3002	225	30	12	ZG1/4in	20	200	0	3440	170	2950	5973
1797/3230G	3970	3230	240	3820	3350	52	54	37	37	3578	3582	220	20	9	M12*1.25	25	200	0	4100	162	3520	7612
1797/3230GY	3970	3230	240	3820	3380	52	36	37	37	3578	3582	220	20	4	M12*1.25	25	200	0	4100	162	3520	7612
1797/3230G2	3970	3230	240	3820	3350	52	54	37	37	3578	3582	220	20	9	M12*1.25	25	200	0	4100	162	3520	7613
1797/3230G2K	3970	3230	240	3820	3350	52	54	37	37	3578	3582	220	20	8	14	25	200	0	4100	162	3520	7613
1797/3230G2k2	3970	3230	240	3820	3350	52	54	37	37	3578	3582	220	20	18	M12*1.25	22	200	0	4092	184	3520	7804
1797/3230G2k3	3940	3230	240	3820	3350	52	54	37	37	3578	3582	220	20	9	M12*1.25	20	200	0	4080	202	3593	7302
1797/3230G2Y	3970	3230	240	3820	3380	52	36	37	37	3578	3582	220	20	4	M12*1.25	25	200	0	4100	162	3593	7613
1797/3230G2Y2	3970	3230	240	3820	3380	52	36	37	37	3578	3582	220	20	4	M12*1.25	25	200	0	4100	162	3593	7613
1797/3230G2Y3	--	3230	240	3820	3380	52	36	37	37	3578	3582	220	20	4	M1.4*1.5	25	220	0	4100	162	3520	7686
1797/3230GK4	3970	3230	240	3820	3380	52	68	37	37	3578	3582	220	20	18	M1.4*1.5	25	200	0	4100	162	3520	7613
1797/3230GK5	3970	3230	240	3820	3350	52	54	37	37	3578	3582	220	20	4	M12*1.25	25	200	0	4100	162	3520	7613
1797/3230G2Y3K	--	3230	240	3820	3380	52	36	37	37	3578	3582	220	20	4	M12*1.25	25	220	0	4100	162	3520	7686
1797/3760G	4220	3760	240	4160	3840	48	48	32	32	3996	4004	210	55	4	M14*1.5	14	135	0	4326	307	3210	4396
1797/4250G	4940	4250	250	4840	4350	72	72	48	48	3996	4002	225	25	9	M16*1.5	30	200	0	5082	168	3210	8954

None Gear

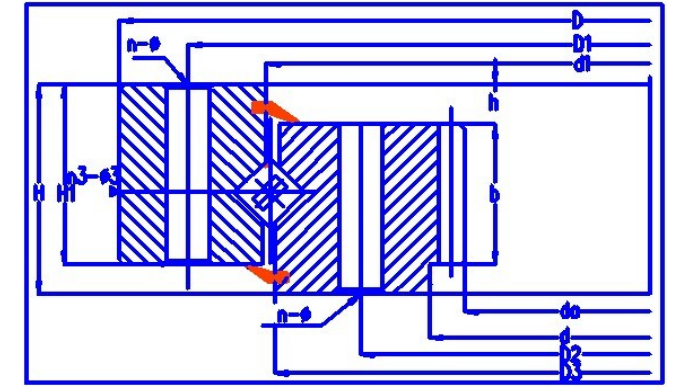
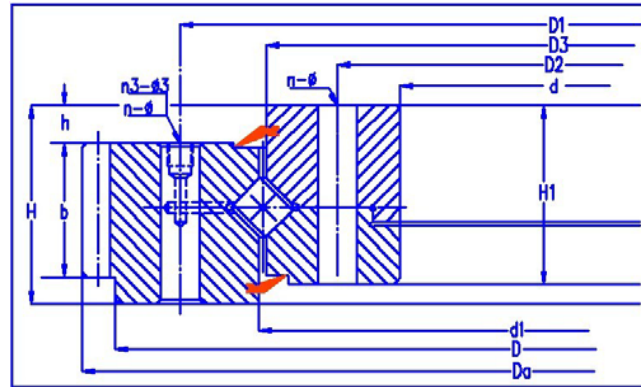
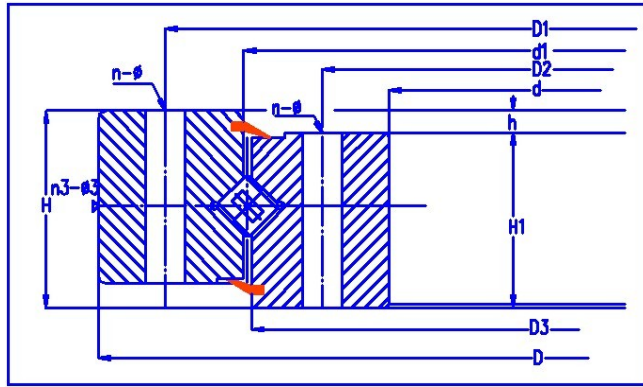


Model	Over all dimensions			Mounting Dimension						Structure dimensions						Load 10 ⁴ N	Mass kg
	D	d	H	D ₁	D ₂	n ₁	n ₂	Φ ₁	Φ ₂	D ₃	d ₁	H ₁	h	n ₃	Φ ₃		
	mm			mm						mm							
79764	550	320	85	515	365	12	8	17	18	438	442	75	10	--	--	88.2	85.6
797/600G2	900	600	125	848	690	30	29	26	M24	750	754	105	15	3	M10*1	280	246
797/670	907	670	85	870	730	12	8	M16	18	808	812	75	10	--	--	165	170
797/700G	1000	700	140	940	770	24	24	M20	22	879	882	130	20	4	M10*1	254	370
797/845G2	1150	845	130	1100	895	24	24	22	22	1024	1030	105	10	6	M6	401	393
797/870G	1180	870	115	1125	920	18	18	28	28	1023	1027	100	15	2	M8*1	292	355
797/870k	1180	870	115	1125	920	18	18	28	28	1023	1027	100	15	2	M10*1	232	355
797/870G2K1	1180	870	115	1125	920	18	18	28	28	1023	1027	100	15	2	M10*1	320	356
797/962G2	1200	962	90	--	--	--	--	--	--	1088	1092	76	10	--	--	254	224
792/1000G2	1270	1000	100	1220	1050	36	36	19	19	1132	1138	85	15	4	M10*1	333	303
792/1000G2K	1270	1000	100	1220	1050	36	36	19	19	1132	1138	85	15	3	9	333	303
792/1000G2K	1270	1000	100	1220	1050	36	36	19	19	1132	1138	85	15	--	--	333	303
792/1000G2K	1270	1000	100	1220	1050	36	36	19	19	1132	1138	85	15	--	--	333	303
797/1060G2	1400	1060	120	--	--	--	--	--	--	1248	1252	120	--	--	--	429	596
797/1200G2	1520	1200	90	--	--	--	--	--	--	1356	1364	90	--	--	--	409	504
792/1250G2	1700	1250	155	1650	1330	24	24	26	26	1446	1450	140	10	6	M10*1	602	1103

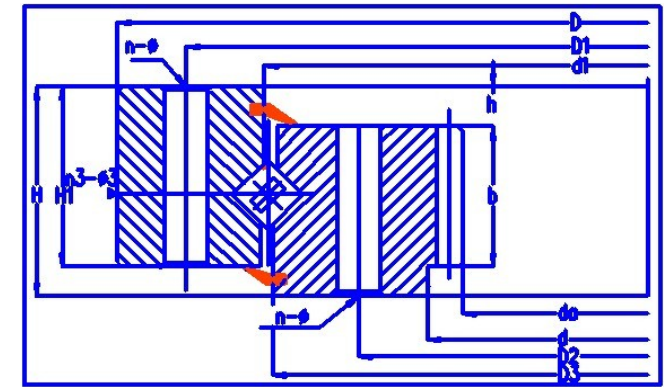
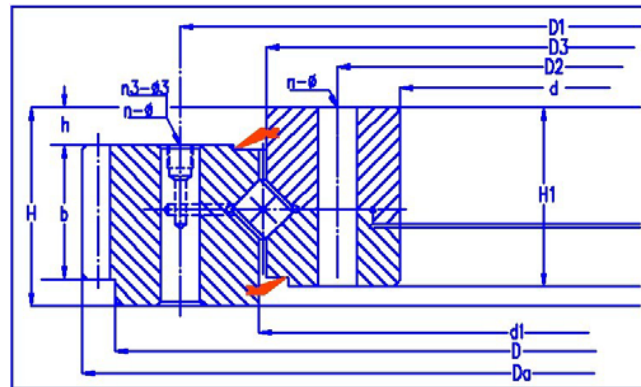
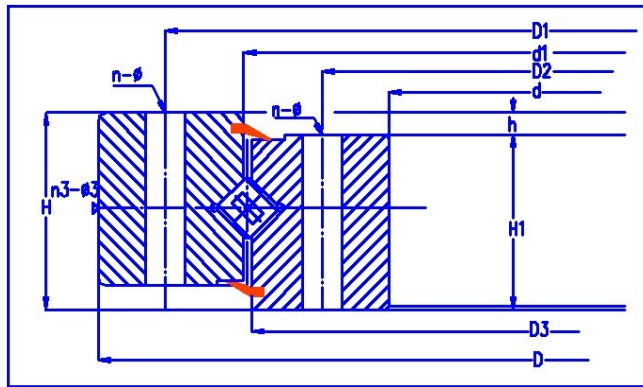
None Gear



Model	Over all dimensions			Mounting Dimension						Structure dimensions						Load 10 ⁴ N	Mass kgs
	D	d	H	D ₁	D ₂	n ₁	n ₂	Φ ₁	Φ ₂	D ₃	d ₁	H ₁	h	n ₃	Φ ₃		
	mm			mm						mm							
797/1250G2	1608	1250	148	1512	1297	16	16	25	25	1403	1407	128	26	4	M10*1	595	743
797/1250G2K	1608	1250	148	1512	1297	16	16	25	25	1403	1704	128	26	4	M10*1	595	717
797/1278G2K	1660	1278	120	1535	1335	18	18	26	26	1428	1432	105	15	4	M10*1	427	589
797/1320G2	1715	1320	134	--	--	--	--	--	--	1503	1509	--	--	--	--	607	958
797/1370G	1840	1370	160	1770	1430	30	24	28	28	1598	1602	140	10	4	M10*1	997	1213
797/1380G2	1700	1380	145	1650	1440	24	24	27	27	1568	1574	140	5	6	M10*1	461	746
3-944G2	1680	1412	170	--	1460	--	24	--	18	1544	1548	120	25	2	M10*1	617	725
3-944G2K	1680	1412	170	--	1460	--	24	--	18	1544	1548	120	25	2	M10*1	576	723
3-944G2K1	1680	1412	185	--	1460	--	24	--	18	1544	1548	120	25	2	M12*1.25	576	759
797//1600G	2140	1600	145	1940	1710	48	48	26	26	1828	1832	135	10	4	M10*1	896	1357
797/1776G2	2210	1776	150	2105	1840	36	36	26	26	1968	1972	135	15	4	M10*1	1113	1244
797/1860G2	2320	1860	151	2245	1980	42	42	33	33	2113	2117	150	10	6	M10*1	890	1772
797/1916G2	2320	1916	150	2245	1980	42	42	34	34	2113	2117	130	20	3	M10*1	1195	1214
797/2190G	2860	2190	300	2800	2270	36	36	32	32	2530	2550	260	40	12	8	3035	4797
797/2500G2	2980	2500	180	2910	2590	48	48	33	33	2739	2743	170	10	6	M16*1.5	1760	2913
792/2800G	3310	2800	190	3220	2890	60	60	39	39	3050	3060	165	25	2	M10*1	2117	2864



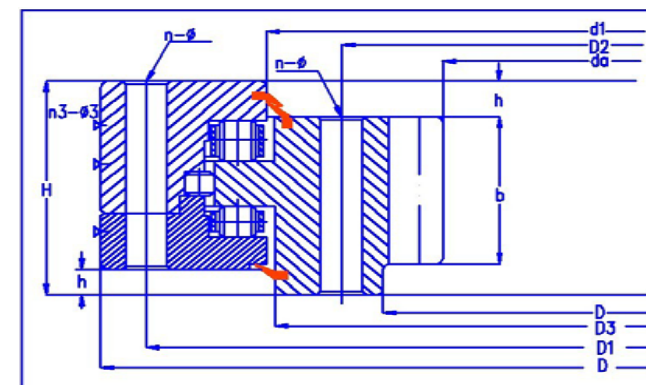
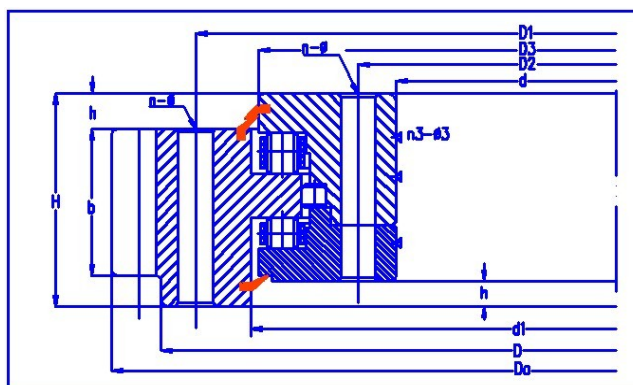
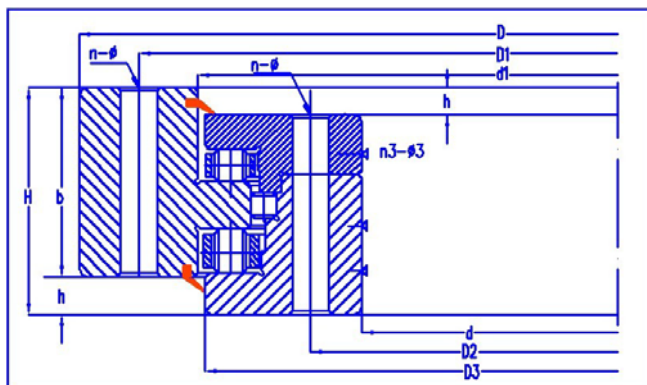
Model			Overall Dimension			Mounting Dimension				Structure Dimension			Gear Parameter		External			Internal			Mass kgs
None Gear	External Gear	Internal Gear	D	d	H	D1	D2	n	φ	n1	H1	h	b	m	x	De	Z	x	De	Z	
HJB.20.625	HJW.20.625	HJN.20.625	725	525	80	685	565	18	18	3	68	12	60	5	1.25	751.9	146	0.35	498.8	101	100
	HJW.20.625A	HJN.20.625A												6	1	755.5	122	0.35	496.7	84	
HJB.20.720	HJW.20.720	HJN.20.720	820	620	80	780	660	18	18	3	68	12	60	6	1.25	860.3	139	0.35	586.6	99	120
	HJW.20.720A	HJN.20.720A												8	0.85	861.1	104	0.35	582.3	74	
HJB.30.820	HJW.30.820	HJN.30.820	940	705	95	893	749	24	20	4	83	12	70	6	1.25	980.4	159	0.35	664.5	112	210
	HJW.30.820A	HJN.30.820A												10	0.85	986.2	95	0.35	658	67	
HJB.30.880	HJW.30.880	HJN.30.880	1000	760	95	956	800	24	20	4	83	12	70	8	1	1047.5	127	0.35	718.2	91	230
	HJW.30.880A	HJN.30.880A												10	0.85	1046.3	101	0.35	707.9	72	
HJB.30.1020	HJW.30.1020	HJN.30.1020	1170	875	95	1120	930	24	22	4	80	15	70	8	1.25	1219.3	148	0.35	830.1	105	300
	HJW.30.1020A	HJN.30.1020A												10	1	1219.2	118	0.35	827.8	84	
HJB.36.1220	HJW.36.1220	HJN.36.1220	1365	1075	120	1310	1130	36	24	6	105	15	90	10	1.25	1424.9	138	0.35	1027.8	104	450
	HJW.36.1220A	HJN.36.1220A												12	0.85	1435.9	116	0.35	1017.3	86	
HJB.36.1250	HJW.36.1250	HJN.36.1250	1400	1090	120	1350	1150	36	26	6	105	15	90	10	0.35	1443	143	0.35	1037	105	520
	HJW.36.1250A	HJN.36.1250A												12	0.85	1449.6	117	0.35	1028.8	87	
HJB.36.1435	HJW.36.1435	HJN.36.1435	1595	1278	120	1535	1335	36	26	6	105	15	90	12	1	1655.5	134	0.35	1221.2	103	610
	HJW.36.1435A	HJN.36.1435A												14	0.85	1661.2	115	0.35	1214.8	88	
HJB.45.1540	HJW.45.1540	HJN.45.1540	1720	1360	140	1660	1420	42	26	6	122	18	110	12	1.4	1780.8	144	0.35	1293.1	109	732
	HJW.45.1540A	HJN.45.1540A												14	1	1791.1	124	0.35	1284.8	93	



Model			Overall Dimension			Mounting Dimension				Structure Dimension			Gear Parameter		External			Internal			Mass
None	External	Internal	D	d	H	D1	D2	n	φ	n1	H1	h	b	m	x	De	Z	x	De	Z	
HJB.45. 1880	HJW.45.1880	HJN.45.1880	2100	1665	160	2030	1740	48	32	6	140	20	118	14	1.25	2189.8	152	0.35	1592.6	115	1400
	HJW.45.1880A	HJN.45.1880A												18	1	2194.6	118	0.35	1579.9	89	
HJB.45. 2115	HJW.45.2115	HJN.45.2115	2325	1900	160	2245	1980	48	32	6	140	20	115	16	1.25	2406.5	146	0.35	1804.1	114	1600
	HJW.45.2115A	HJN.45.2115A												20	1	2418.4	117	0.35	1795.4	91	
HJB.45. 2370	HJW.45.2370	HJN.45.2370	2600	2146	180	2520	2220	48	32	6	158	22	130	18	1.25	2707.3	146	0.35	2065.6	116	2100
	HJW.45.2370A	HJN.45.2370A												22	1	2704.4	119	0.35	2040.9	94	
HJB.45. 2600	HJW.45.2600	HJN.45.2600	2835	2365	180	2750	2450	54	36	6	158	22	130	18	1.25	2941.7	159	0.35	2263.5	127	2400
	HJW.45.2600A	HJN.45.2600A												22	1	2946.9	130	0.35	2260.8	104	
HJB.50. 2820	HJW.50.2820	HJN.50.2820	3085	2555	200	3000	2640	54	36	6	178	22	150	20	1.25	3188.4	155	0.35	2455	124	3400
	HJW.50.2820A	HJN.50.2820A												25	1	3198.4	124	0.35	2444.1	99	
HJB.50.3120	HJW.50.3120	HJN.50.3120	3400	2840	200	3310	2930	54	36	6	178	22	150	22	1.25	3507.2	155	0.35	2722.5	125	4000
	HJW.50.3120A	HJN.50.3120A												25	1.25	3509.6	136	0.35	2719	110	
HJB.50. 3580	HJW.50.3580	HJN.50.3580	3920	3240	240	3820	3340	60	40	6	218	22	190	22	1.25	4036.1	179	0.35	3118.4	143	6700
	HJW.50.3580A	HJN.50.3580A												25	1.25	4035.6	157	0.35	3118.8	126	
HJB.50.4030	HJW.50.4030	HJN.50.4030	4370	3690	240	4270	3790	66	40	6	218	22	190	22	1.25	4520.6	201	0.35	3558.3	163	7700
	HJW.50.4030A	HJN.50.4030A												28	1.25	4522	157	0.35	3549	128	
HJB.50. 4540	HJW.50.4540	HJN.50.4540	4860	4210	240	4760	4310	72	40	6	218	22	190	22	1.25	4983	222	0.35	4042.2	185	8760
	HJW.50.4540A	HJN.50.4540A												30	1.25	4992.9	162	0.35	4042.4	136	

Triple Row Cylindrical Roller Slewing Bearing 13 series

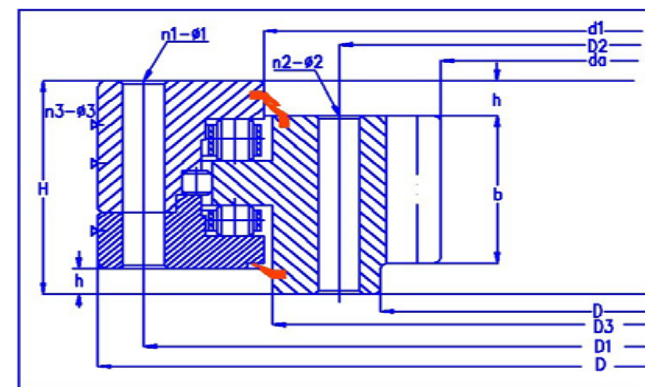
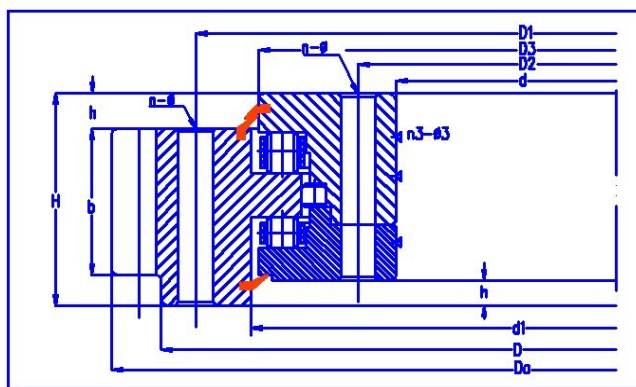
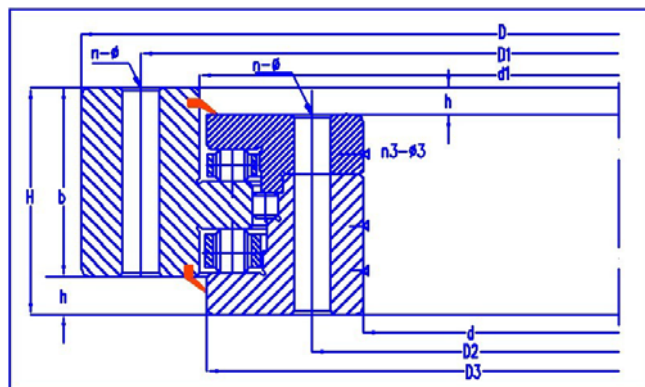
LYXQL Slewing Bearing



Model			Over all Dimension			Mounting Dimension				Structure Dimension					Gear Parameter			External		Internal		Load		Mass
None gear	External Gear	Internal Gear	D	d	H	D1	D2	N	φ	D3	d1	H1	h	n3	m	b	X	Da	Z	da	Z	(10 ⁴ N)		
			mm			mm				mm								mm	mm	mm	mm	mm	mm	
130.25.500	131.25.500	133.25.500	634	366	148	598	402	24	18	537	526	32	10	4×2	5	80	0.5	665	130	335	68	275	35.5	224
	132.25.500	134.25.500	634	366	148	598	402	24	18	474	463	32	10	4×2	6	80	0.5	666	108	336	57	275	35.5	224
130.25.560	131.25.560	133.25.560	694	426	148	658	462	24	18	597	586	32	10	4×2	5	80	0.5	725	142	395	80	308	39.9	240
	132.25.560	134.25.560	694	426	148	658	462	24	18	534	523	32	10	4×2	6	80	0.5	726	118	396	67	308	39.9	240
130.25.630	131.25.630	133.25.630	764	496	148	728	532	28	18	667	656	32	10	4×2	6	80	0.5	810	132	456	77	345	45.1	270
	132.25.630	134.25.630	764	496	148	728	532	28	18	[604]	[593]	32	10	4×2	8	60	0.5	808	98	456	58	345	45.1	270
130.25.710	131.25.710	133.25.710	844	576	148	808	612	28	18	747	736	32	10	4×2	6	80	0.5	888	145	534	90	388	51.7	300
	132.25.710	134.25.710	844	576	148	808	612	28	18	[684]	[673]	32	10	4×2	8	80	0.5	888	108	536	68	388	51.7	300
130.32.800	131.32.800	133.32.800	964	636	182	920	680	36	22	841	830	40	10	4×2	8	120	0.5	1008	123	592	75	549	71.2	500
	132.32.800	134.32.800	964	636	182	920	680	36	22	[770]	759	40	10	4×2	10	120	0.5	1010	98	590	60	549	71.2	500
130.32.900	131.32.900	133.32.900	1064	736	182	1020	780	36	22	941	930	40	10	4×2	8	120	0.5	1104	135	688	87	619	80.8	600
	132.32.900	134.32.900	1064	736	182	1020	780	36	22	[870]	[859]	40	10	4×2	10	120	0.5	1110	108	690	10	619	80.8	600
130.32.1000	131.32.1000	133.32.1000	1164	836	182	1120	880	40	22	1041	1030	40	10	5×2	10	120	0.5	1220	119	780	79	689	90.3	680
	132.32.1000	134.32.1000	1164	836	182	1120	880	40	22	[970]	[959]	40	10	5×2	12	120	0.5	1224	99	780	66	689	90.3	680
130.32.1120	131.32.1120	133.32.1120	1284	956	182	1240	1000	40	22	1161	1150	40	10	5×2	10	120	0.5	1340	131	900	91	768	102	820
	132.32.1120	134.32.1120	1284	956	182	1240	1000	40	22	[1090]	[1079]	40	10	5×2	12	120	0.5	1344	109	900	76	768	102	820
130.40.1250	131.40.1250	133.40.1250	1445	1055	220	1393	1107	45	26	1300	1290	50	10	5×2	12	150	0.5	1512	123	984	83	1110	146	1200
	132.40.1250	134.40.1250	1445	1055	220	1393	1107	45	26	[1210]	[1200]	50	10	5×2	14	150	0.5	1512	105	980	71	1110	146	1200
130.40.1400	131.40.1400	133.40.1400	1595	1205	220	1393	1107	45	26	1450	1440	50	10	5×2	12	150	0.5	1668	136	1140	96	1240	165	1300
	132.40.1400	134.40.1400	1595	1205	220	1393	1107	45	26	[1360]	[1350]	50	10	5×2	14	150	0.5	1666	116	1134	80	1240	165	1300
130.40.1600	131.40.1600	133.40.1600	1795	1405	220	1743	1457	48	26	1650	1640	50	10	6×2	14	150	0.5	1876	131	1330	96	1420	190	1520
	132.40.1600	134.40.1600	1795	1405	220	1743	1457	48	26	[1560]	[1550]	50	10	6×2	16	150	0.5	1872	114	1328	84	1420	190	1520

Triple Row Cylindrical Roller Slewing Bearing 13 series

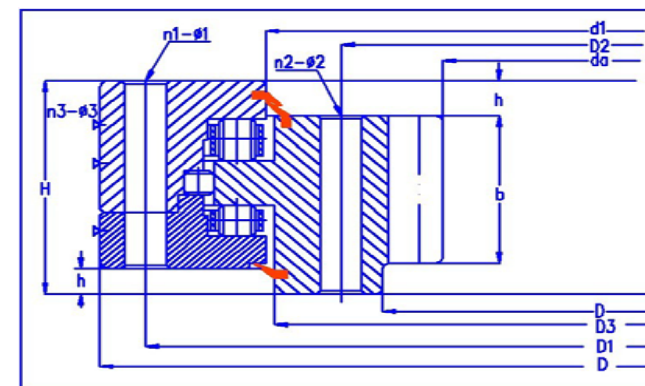
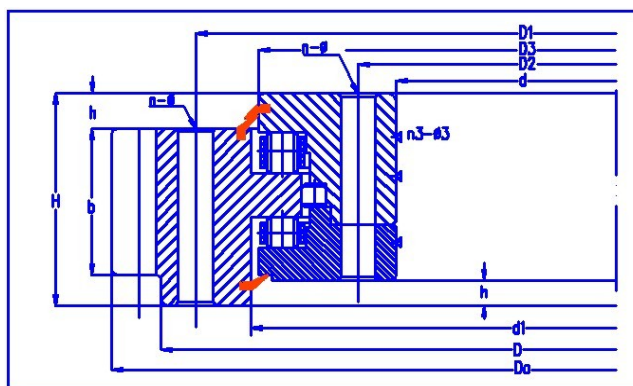
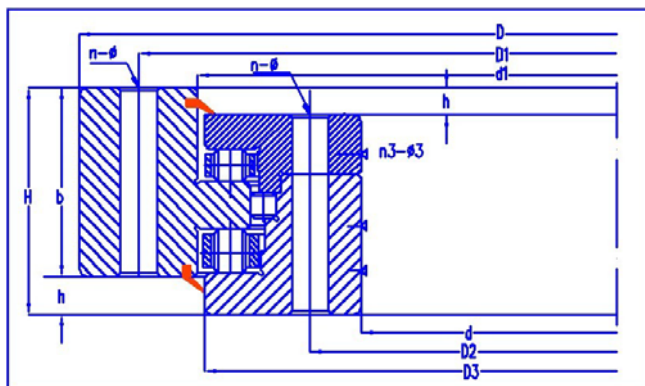
LYXQL Slewing Bearing



Model			Over all Dimension			Mounting Dimension				Structure Dimension					Gear Parameter			External		Internal		Load (10 ⁴ N)		Mass
None gear	External Gear	Internal Gear	D	d	H	D1	D2	N	φ	D3	d1	H1	h	n3	m	b	X	Da	Z	da	Z	Coa	Cor	kg
			mm			mm				mm								mm	mm	mm	mm			
130.40.1800	131.40.1800	133.40.1800	1995	1605	220	1943	1657	48	26	1850	1840	50	10	6×2	14	150	0.5	2072	145	1520	110	1590	215	1750
	132.40.1800	134.40.1800	1995	1605	220	1943	1657	48	26	[1760]	[1750]	50	10	6×2	16	150	0.5	2080	127	1520	96	1590	215	1750
130.45.2000	131.45.2000.03		2195	1816	150	2127	1885	60	33		2041	33	13	3×5	16	105	0.9	2267	138	—	—	1690	66.3	1120
	131.45.2000.04		2221	1779	231	2155	1845	60	33	2059	2055	54	12	6×3	16	160	0.5	2304	141	1696	107	2050	239	2230
	131.45.2000	133.45.2000	2221	1779	231	2155	1845	60	33	2055	2033	54	12	6×2	16	160	0.5	2304	141	1696	107	2050	239	2400
	132.45.2000	134.45.2000	2221	1779	231	2155	1845	60	33	[1967]	[1945]	54	12	6×2	18	160	0.5	2304	125	1692	95	2050	239	2400
130.45.2240	131.45.2240	133.45.2240	2461	2019	231	2395	2085	60	33	2295	2273	54	12	6×2	16	160	0.5	2560	157	1920	121	2310	268	2700
	132.45.2240	134.45.2240	2461	2019	231	2395	2085	60	33	[2207]	[2185]	54	12	6×2	18	160	0.5	2556	139	1926	108	2310	268	2700
	131.45.2500.04		2721	2279	231	2655	2345	72	33	2555	2561	54	12	8×3	18	160	0.5	2826	154	—	—	2580	302	2834
130.45.2500	131.45.2500	133.45.2500	2721	2279	231	2655	2345	72	33	2555	2533	54	12	8×2	18	160	0.5	2826	154	2178	122	2580	302	3000
	132.45.2500	134.45.2500	2721	2279	231	2655	2345	72	33	[2467]	[2445]	54	12	8×2	20	160	0.5	2820	138	2180	110	2580	302	3000
130.45.2800	131.45.2800	133.45.2800	3021	2579	231	2955	2645	72	33	2855	2833	54	12	8×2	18	160	0.5	3114	170	2184	139	2880	339	3400
	132.45.2800	134.45.2800	3021	2579	231	2955	2645	72	33	[2767]	[2745]	54	12	8×2	20	160	0.5	3120	153	2480	125	2880	339	3400
	132.45.2800.03		3021	2579	231	2955	2645	72	33	2855	2833	54	12	8×3	20	160	0.5	3120	153			2896	323	3031
	132.45.2800.12		3021	2579	231	2955	2645	72	33	2855	2833	54	12	8×3	18	160	0.5	3114	170	—	—	2896	323	3010
130.50.3150	131.50.3150	133.50.3150	3432	2868	270	3342	2958	72	45	3213	3196	65	12	8×3	20	180	0.5	3540	174	2760	139	3590	381	5000
	132.50.3150	134.50.3150	3432	2868	270	3342	2958	72	45	[3104]	[3081]	65	12	8×2	22	180	0.5	3542	158	2750	126	3590	381	5000
130.50.3150.12K			3432	2868	270	3342	2958	72	45	3103	3086	50	12	8×2								3735	502	4900
/	131.30.3150.12K		3376	2922	182	3286	3014	56	45	3190	3180	40	10	8×3	20	120	0.5	3476	171			2050	202	2308
/	131.50.3150.12K		3432	2868	270	3342	2958	72	45	3214	3197	50	12	8×2	20	180	0.5	3540	174			3735	474	5404

Triple Row Cylindrical Roller Slewing Bearing 13 series

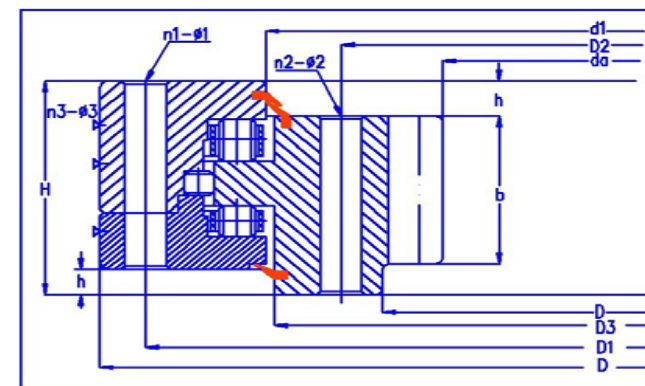
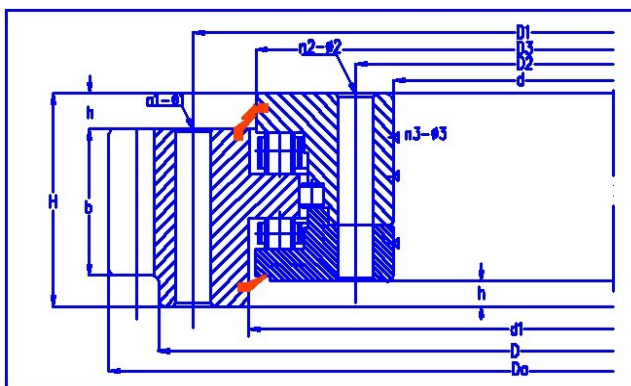
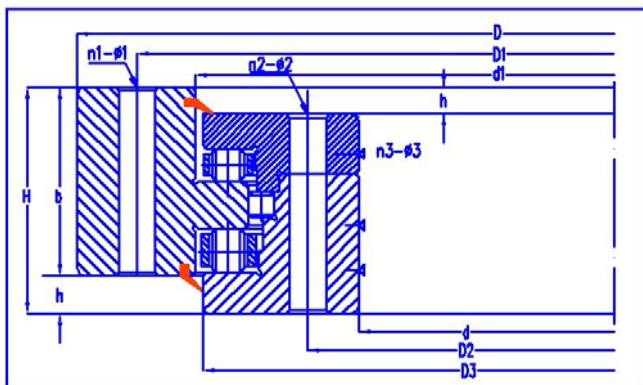
LYXQL Slewing Bearing



Model			Over all Dimension			Mounting Dimension				Structure Dimension					Gear Parameter			External		Internal		Load (10 ⁴ N)		Mass
None gear	External Gear	Internal Gear	D	d	H	D1	D2	N	φ	D3	d1	H1	h	n3	m	b	X	Da	Z	da	Z	Coa	Cor	kg
			mm			mm				mm								mm	mm	mm	mm			
/	132.50.3150.12K		3432	2868	270	3342	2958	72	45	3214	3197	50	12	8×2	22	180	0.5	3542	158			3735	474	5409
/	132.50.3150.12K1		3432	2868	270	3342	2958	72	45	3214	3197	50	12	8×3	20	195	0.5	3536	174			3735	474	5385
/	133.50.3150.11K		3432	2868	270	3342	2958	60	39	3103	3086	50	12	8×2	20	180	0.5			2761	139	3575	501	5174
/	133.50.3150.12K		3432	2868	270	3342	2958	60	39	3103	3086	50	12	8×2	20	180	0.5			2761	139	3575	501	5174
/	133.50.3150.12K1		3432	2868	270	3342	2958	60	39	3103	3086	50	12	8×2	18	180	0.5			2754	154	3575	501	5174
/	134.50.3150.11K		3432	2868	270	3342	2958	72	45	3103	3086	50	12	6×2	22	180	0.5			2754	126	3575	501	5104
130.50.3550	131.50.3550	133.50.3550	3832	3268	270	3742	3358	72	45	3613	3596	65	12	8×2	20	180	0.5	3940	194	3160	159	4040	431	5600
	132.50.3550	134.50.3550	3832	3268	270	3742	3358	72	45	[3504]	[3487]	65	12	8×2	22	180	0.5	3938	176	3146	144	4040	431	5600
	132.50.3550.03K		3832	3268	270	3742	3358	72	45	3613	3596	65	12	8×3	22	180	0.5	3934	176			4105	401	4960
	132.50.3550.12		3832	3268	270	3742	3358	72	45	3613	3596	65	12	8×3	22	180	0.5	3938	176			4105	401	5318
130.50.4000	131.50.4000	133.50.4000	4282	3718	270	4192	3908	80	45	4063	4046	65	12	8×2	22	180	0.5	4400	197	3608	165	4560	487	6400
	132.50.4000	134.50.4000	4282	3718	270	4192	3908	80	45	3954	3937	65	12	8×2	25	180	0.5	4400	173	3600	145	4560	487	6400
	131.50.4000.04K		4282	3718	270	4192	3908	80	45	4063	4046	65	12	8×2	22	180	0.5	4400	197			4502	450	6377
	132.50.4000.12		4282	3718	270	4192	3908	80	45	4063	4046	65	12	8×3	25	180	0.5	4400	173			4502	450	6377
130.50.4500	131.50.4500	133.50.4500	4782	4218	270	4692	4308	80	45	4563	4546	65	12	8×2	22	185	0.5	4906	220	4114	188	5445	580	6942
	132.50.4500	134.50.4500	4782	4218	270	4692	4308	80	45	[4454]	[4437]	65	12	8×2	25	185	0.5	4906	193	4100	165	5445	580	
	131.50.4500.04		4782	4218	270	4692	4308	80	45	4565	4546	60	12	8×3	20	185	0.5	4880	242			4900	507	7250
	132.50.4500.04		4782	4218	270	4692	4308	80	45	4565	4546	60	12	10×2	25	185	0.5	4895	193			4900	506	7333
	131.60.5000.04		5320	4670	320	5220	4766	100	45	5082	5062	65	18	10×3	20	220	0.5	5440	270			6834	955	11752

Triple Row Cylindrical Roller Slewing Bearing 13 series

LYXQL Slewing Bearing



Model	Boundary			Mounting Dimension				Structure dimensions								Gear parameters					Basic load		Mass kg		
	D	d	H	D1	D2	n1	n2	Φ1	Φ2	D3	d1	D3'	d1'	h1	h2	n3	Φ3 mm	m	da mm	Z	b	x		Coa	Cor
	mm			mm				mm			mm													10 ⁴ N	
None Gear																									
3-931G	4300	3650	355	4210	3750	90	90	48	48	—	—	3850	3860	—	—	18	M16*1.5	—	—	—	—	—	6570	1330	9503
External Gear																									
6397/1605G2K	1984	1605	250	1932	1657	36	48	26	26	1850	1856	—	—	50	33	6*3	M14*1.5	16	2064	127	170	0	1525	208	1800
3-947G	2465	1850	256	2390	2020	60	60	39	39	2261	2247	—	—	46	20	6*2	M10*1	18	2554	139	180	0.5	2253	320	3515
3-934G	2650	2240	180	2588	2300	54	54	34	34	2487	2482	—	—	30	15	6*3	M14*1.5	18	2854	150	132	0.5	1680	205	1832
6397/2590	3006	2590	200	2930	2670	60	60	39	39	2845	2860	—	—	21	20	10*3	M10*1	16	3086	190	95	0.4	2192	316	2780
6397/2590K	3006	2590	314	2930	2670	60	60	39	39	2860	2864	—	—	19	24	10*3	M10*1	16	3085	190	134	0.4	2700	316	4209
6397/2800G	3260	2800	220	3190	2870	60	60	39	39	3082	3068	—	—	30	18	6*3	M14*1.5	20	3360	166	160	0	2700	330	3288
6397/2800GK	3255	2800	240	3185	2870	48	64	39	39	3082	3068	—	—	30	38	8*3	M14*1.5	18	3348	184	160	0	2700	330	3419
6397/2800GK1	3255	2800	240	3185	2870	64	64	39	M36	3082	3068	—	—	30	38	8*3	M14*1.5	18	3348	184	180	0	2700	330	3429
6397/2800GK2	3255	2800	240	3185	2870	48	64	39	M36*3	3082	3068	—	—	30	32	8*3	M14*1.5	18	3348	184	160	0	2700	330	3424
6392/2910G	3400	2910	220	3315	2990	56	56	39	39	3200	3187	—	—	50	10	8*2	M14*1.5	22	3520	158	160	0	2670	458	3736
6397/3340	3888	3340	212	3735	3441	108	108	33	33	3642	3612	—	—	42	22	24	Z1/4in	24	3931	161	170	0.5	3900	410	3684
Internal Gear																									
7397/2210K	2650	2216	220	2590	2276	56	40	30	33	—	—	2380	2392	27	23	8*3	M10*1	16	2130	135	140	0	2050	302	2418
7397/2700G2	3150	2700	255	3070	2750	40	70	32	32	—	—	2856	2852	40	30	4*2	M14*1.5	20	2609	132	180	0	2920	423	3536
7397/2700G2K	3150	2700	255	3070	2750	72	72	32	32	—	—	2856	2852	40	30	6*2	ZG1/4in	20	2604	132	180	0	2920	423	3542
7397/2700GK1	3150	2700	255	3070	2750	76	80	38	38	—	—	2856	2852	40	30	4*2	M14*1.5	20	2609	132	180	0	2920	423	3393
7397/2700G2K2	3150	2700	255	3070	2750	72	72	33	33	—	—	2862	2852	40	30	6*2	ZG1/4in	20	2604	132	180	0	2920	423	3542
7397/2700G2K3	3150	2700	255	3070	2750	8	2	32	M30	—	—	2856	2852	40	30	4*2	M14*1.5	20	2609	132	180	0	2920	423	3699
3-945G2	5000	4190	430	4880	4310	66	72	44	44	—	—	4482	4410	49	30	12*2	M10*1	25	4068	164	240	0.4	10506	1116	14204